

Clear Ice Maker- IMT200



DESCRIPTION

CRYSTAL CLEAR ICE

Using directional freezing, our clear ice makers create the clearest ice.

FOUR SHAPES TO CHOOSE FROM

Choose from four different molds - cubes, spheres, diamonds, or collins bar.

STYLISH STAINLESS STEEL

With good looks and easy-to-clean stainless steel, the IMT200 will look good in your kitchen or bar while it creates your ice.

NO MESS

Auto-defrosting and self-evaporating.

CERTIFICATES



SPECIFICATIONS

Power supply	220-240 V~ 50 Hz	110-120 V~ 60 Hz
Ice-making power	350 W	490 W
Ice-detaching power	700 W	700 W
Exterior material	Stainless steel SUS201 with brushed finishes	
Interior material	Stainless steel SUS304	
Exterior dimensions	18.5" X 29.7" X 33.7" (470 × 755 × 856mm)	
Interior dimensions	13.8" X 15.0" X 17.8" (350 × 382 × 452mm)	
Ice-making time	23 hours	
Refrigerant gas type	R290	
Ice-making capacity	30 Ice cubes	
	16 big Ice spheres	
	25 small Ice spheres	
	24 Collins	
Ice size	30 Ice diamonds	
	Ice cube: 55 × 55 × 55 mm	
	Ice sphere: Φ60 mm	
	Ice sphere: Φ75 mm	
Set temperature for ice storage mode	Collins: 38 × 38 × 102 mm	
	Ice diamond: Φ60 * 55 mm	
Set temperature for Freeze mode	-2°C	
Set temperature for Freeze mode	-15°C	

Project:

Approved:

Quantity:

Date:

AVAILABLE IN

- US standards
- EU standards
- UK standards
- Chinese standards
- Japanese standards

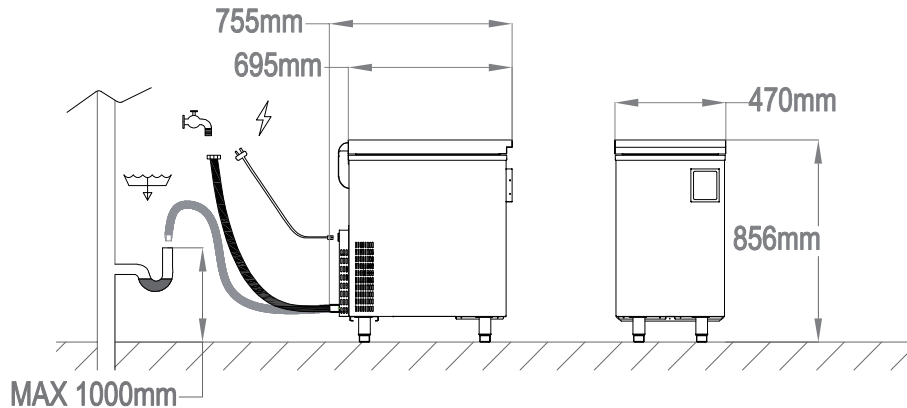
MASTER CARTON MEASUREMENTS

865 x 590 x 1031 mm	G.W. 88.7 kg	N.W. 60.1 kg
---------------------	--------------	--------------

WEIGHTS OF ICE MOLDS

ITEM	GROSS WEIGHT	NET WEIGHT
30 Cube ice moulds + 1 frame	7.7 kg	6.3 kg
16 Large ice sphere moulds + 1 frame	10.5 kg	9.1 kg
25 Small ice sphere moulds + 1 frame	9.3 kg	7.9 kg
24 Collins ice moulds + 1 frame	8 kg	6.6 kg
30 Diamond ice moulds + 1 frame	11.5 kg	10.1 kg

2D DRAWING



CERTIFICATES



Project:

Approved:

Quantity:

Date:

Advanced Cuisine Technology PTE. Ltd.

60 Paya Lebar Road, #11-19 Paya Lebar Square, Singapore 409051

More info at: www.advanced-cuisine.com