



SELF-CONTAINED CUBER

IM-130NE-HC
IM-130NE-HC-23
IM-130NE-HC-21
IM-130NE-HC-32

PARTS LIST

[HE]

M069
M069-D001, D002, D003

F-1 APR.2016
G-1 APR.2017
G-2 NOV.2017
J-1 JUL. 2019
J-2 SEP. 2019

List of Specifications

IM-130NE-HC	M069	Standard
IM-130NE-HC-23	M069-D001	23mm ICE of IM-130NE-HC
IM-130NE-HC-21	M069-D002	21mm ICE of IM-130NE-HC
IM-130NE-HC-32	M069-D003	32mm ICE of IM-130NE-HC

Auxiliary Codes

Auxiliary Code Breakdown

The auxiliary code is the first two characters in the serial number. The first character indicates the year. Years progress or regress in alphabetical order. The series runs from "A" through "V" and the letters "I" and "O" are skipped. The second character indicates significant part changes within a year. Base is "0" and this number advances for each change. In cases where there is a letter in parentheses, this designates the month. This is the last character in the serial number. The series runs from "(A)" through "(M)" and the letter "(I)" is skipped. This designation is only included when identifying a parts change within an auxiliary code.

Note About Ordering Parts

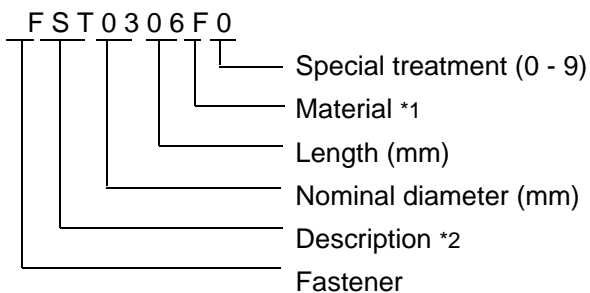
Most assemblies cannot be ordered as complete units; parts in the assemblies generally must be ordered separately.

MARKS LOCATED UNDER THE AUXILIARY CODE

- = Part deleted.

FASTENER PART NUMBER

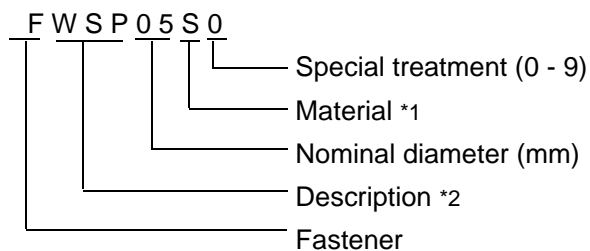
SCREWS



*1

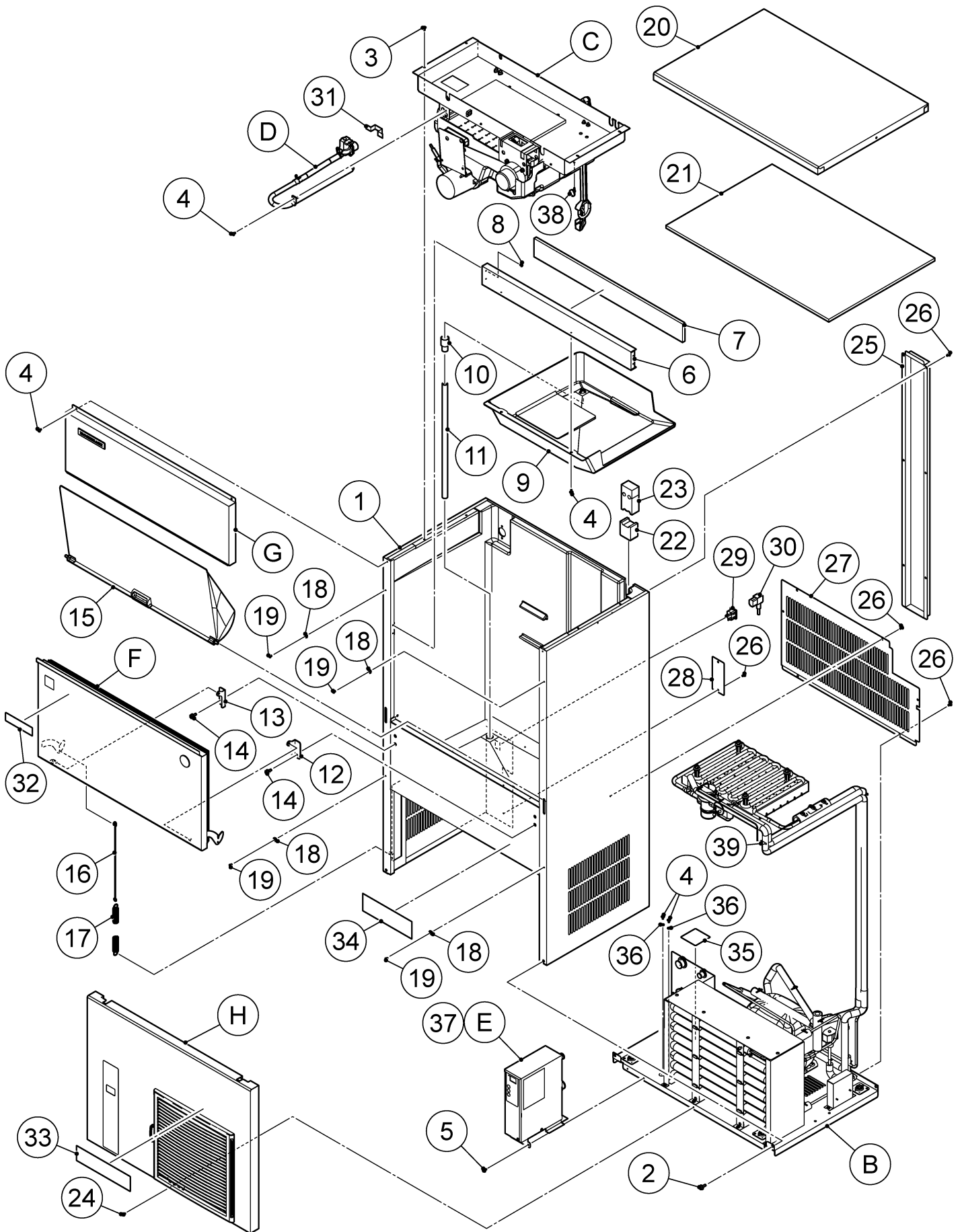
F: Steel
S: Austenitic stainless steel
M: Martensitic stainless steel
B: Copper alloy
P: Polycarbonate
N: Polyamide
V: PVC
A: ABS
X: Polyacetal
L: Aluminum

NUTS & WASHERS



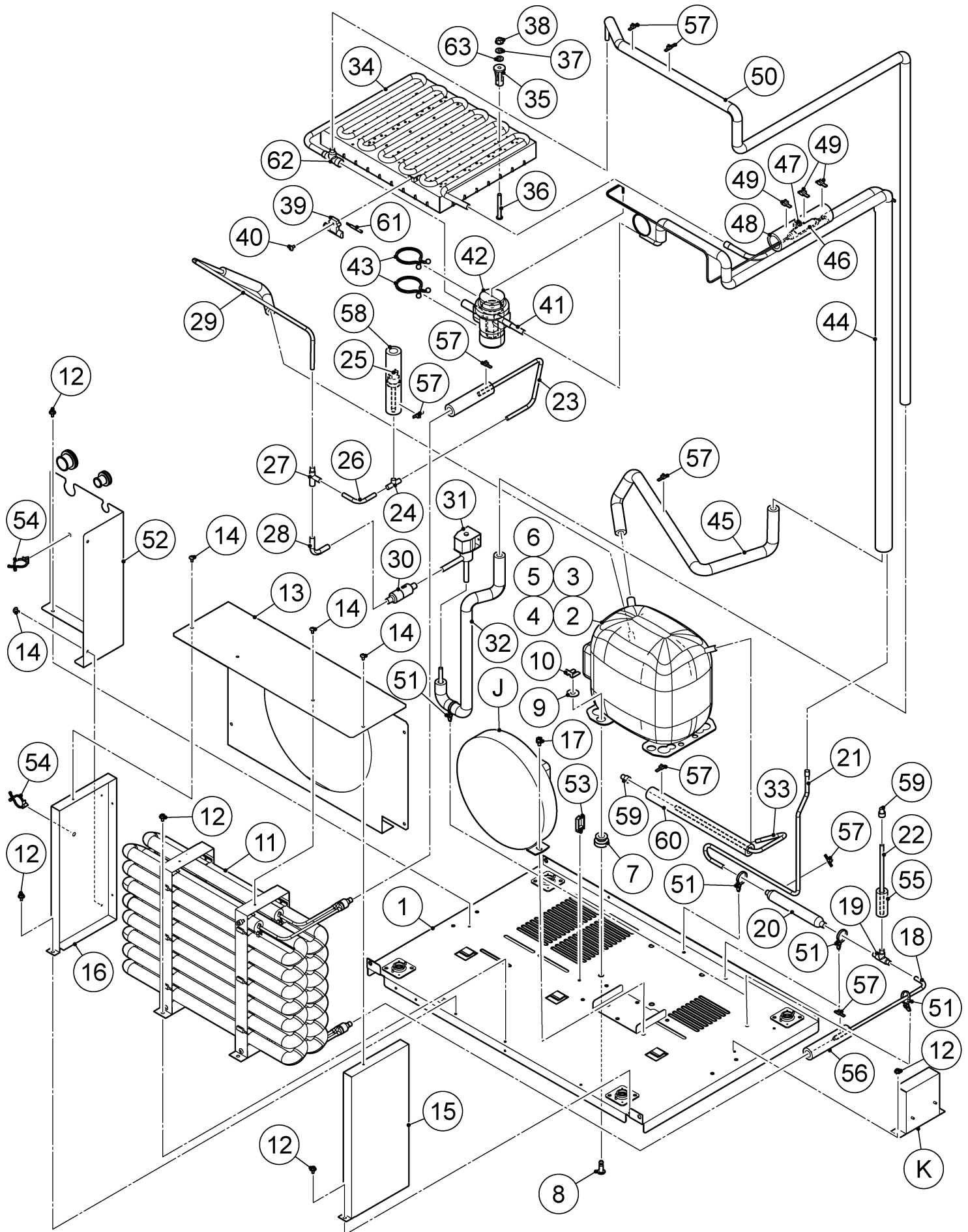
*2

First letter
S: Machine screw
T: Tapping screw
M: Wood screw
B: Bolt
W: Washer
N: Nut



HE

MODEL: IM-130NE-HC TITLE: A. ICE CUBER ASSY								
INDEX NO.	DESCRIPTION	MATERIAL OR MODEL NUMBER	PART NUMBER	REQ'D NUMBER				
				F-1 G-0	G-1	G-2 J-0	J-1	J-2
B	REFRIGERATION ASSY	IM-130NE-HC	124393A01	1	1	-	-	-
		IM-130NE-HC-21	1H6013A01	-	-	1	1	1
		IM-130NE-HC-32	124393001	1	1	1	1	-
		IM-130NE-HC-23	1H6013001	-	-	-	-	1
C	MECHANISM ASSY		1H4992A01	1	1	1	1	1
D	WATER CIRCUIT ASSY		266545A01	1	1	1	1	1
E	CONTROL BOX ASSY	IM-130NE-HC	266499A01	1	1	-	-	-
		IM-130NE-HC-21	2X3410A01	-	-	1	-	-
		IM-130NE-HC-32	2X3410A02	-	-	-	1	1
		IM-130NE-HC-23	266499A01	1	1	1	1	-
			2X3410A01	-	-	-	-	1
F	DOOR ASSY		3Y5436A01	1	1	1	1	1
G	FRONT COVER UPPER ASSY		3Y6139A01	1	1	1	1	1
H	FRONT COVER LOWER ASSY		380363A01	1	1	1	1	1
R	ACCESSORIES		A02985-01	1	1	1	1	1
1	UNIT BODY		1H4951G01	1	1	1	1	1
2	TAPPING SCREW - HEX		442040-01	4	4	4	4	4
3	TRUSS HEAD SCREW		FST0412S0	4	4	4	4	4
4	TRUSS HEAD SCREW		FST0408S0	7	7	7	7	7
5	Flange Bolt (C-TITE)		FTR0408M0	2	2	2	2	2
6	FRONT FRAME		3Z1555M04	1	1	1	1	1
7	INSULATION-FRONT FRAME		4H2687-01	1	1	1	1	1
8	RIVET	SSD41SSBS	7170-0006	4	4	4	4	4
9	DRAIN PAN		2H1935-01	1	1	1	1	1
10	DRAIN TUBE		4H2585-01	1	1	1	1	1
11	DRAIN PIPE		4Y7493P05	1	1	1	1	1
12	HINGE (RIGHT)		4H2583-01	1	1	1	1	1
13	HINGE (LEFT)		4H2584-01	1	1	1	1	1
14	HEX HEAD BOLT (SPRING WASHER AND FLAT WASHER)		FBK0620S0	4	4	4	4	4
15	SLOPE		3H2978G01	1	1	1	1	1
16	HOOK		4H2685-01	1	1	1	1	1
17	SPRING		4H0823-01	1	1	1	1	1
18	TAPER COLLAR		4H0171-01	4	4	4	4	4



HE

MODEL: IM-130NE-HC									TITLE: B. REFRIGERATION ASSY				
INDEX NO.	DESCRIPTION	MATERIAL OR MODEL NUMBER	PART NUMBER	REQ'D NUMBER									
				F-1 G-0	G-1	G-2 J-0	J-1	J-2					
J	FAN MOTOR ASSY		380409A01	1	1	1	1	1					
K	GAS SENSOR ASSY		480188A01	1	1	1	1	1					
1	BASE (G)		380404G01	1	1	1	1	1					
2	COMPRESSOR		P03539-01	1	1	1	1	1					
3	STARTING RELAY		P03540-01	1	1	1	1	1					
4	START CAPACITOR		456350-01	1	1	1	1	1					
5	CORD RELIEF		452239-01	1	1	1	1	1					
6	COVER		P01179-01	1	1	1	1	1					
7	GROMMET		450897-01	4	4	4	4	4					
8	STEEL PIN		452255-01	4	4	4	4	4					
9	WASHER CUSHION		P02793-01	4	4	4	4	4					
10	CLIP		452256-01	4	4	4	4	4					
11	CONDENSER ASSY		266549G01	1	1	1	1	1					
12	Flange Bolt (C-TITE)		FTR0408M0	7	7	7	7	7					
13	SHROUD		380405M01	1	1	1	1	1					
14	T2 TRUSS HEAD SCREW		FT20408F0	10	10	10	10	10					
15	SHROUD (R) - SIDE		380407M01	1	1	1	1	1					
16	SHROUD (L) - SIDE		380408M01	1	1	1	1	1					
17	HEX HEAD BOLT (SPRING WASHER AND FLAT WASHER)		FBK0612F0	2	2	2	2	2					
18	PIPE (A) - HIGH SIDE		480185M01	1	1	1	1	1					
19	TEE		456655-01	1	1	1	1	1					
20	DRIER		458776-01	1	1	1	1	1					
21	PIPE(C) - HIGH SIDE		380410M01	1	1	1	1	1					
22	PROCESS TUBE		4Y0273-01	1	1	1	1	1					
23	PIPE (B2) - HIGH		480201M01	1	1	1	1	1					
24	TEE - 6.4		417394-01	1	1	1	1	1					
25	PRESSURE SWITCH	R134a,R22,R404A,R290	459863-08	1	1	1	1	1					
26	PIPE (B1) - HIGH SIDE		480187M01	1	1	1	1	1					
27	TEE		420041-03	1	1	1	1	1					
28	PIPE (A) - HIGH		480186M01	1	1	1	1	1					
29	PIPE (B4) - HIGH		380413G01	1	1	1	1	1					
30	STRAINER		P00812-01	1	1	1	1	1					

HE

MODEL: IM-130NE-HC TITLE: B. REFRIGERATION ASSY								
INDEX NO.	DESCRIPTION	MATERIAL OR MODEL NUMBER	PART NUMBER	REQ'D NUMBER				
				F-1 G-0	G-1	G-2 J-0	J-1	J-2
31	HOT GAS VALVE		P04242-01	1	1	1	1	1
32	PIPE (C) - HOT GAS		3Y6038G01	1	1	1	1	1
33	PIPE(A) - PROSESS		4Y7466M01	1	1	1	1	1
34	EVAPORATOR	IM-130NE-HC	2H6438G03	1	1	-	-	-
			2X2463G01	-	-	1	1	1
		IM-130NE-HC-23	2H1836G01	1	1	1	1	-
			2X2590G01	-	-	-	-	1
		IM-130NE-HC-21	2X2541G01	-	-	1	1	1
IM-130NE-HC-32	2X3720G01	-	-	1	1	1		
35	COLLAR		3H3879-01	4	4	4	4	4
36	SCREW EVAPORATOR	IM-130NE-HC IM-130NE-HC-32	4Y4922M02	4	4	4	4	4
		IM-130NE-HC-23 IM-130NE-HC-21	4Y4922M03	4	4	4	4	4
37	WASHER		4H0777-01	4	4	4	4	4
38	FLANGE NUT		FNHF06S0	4	4	4	4	4
39	HOLDER - THERMISTOR		315479-01	1	1	1	1	1
40	S-TITE TRUSS HEAD SCREW		FTS0408M0	1	1	1	1	1
41	EXPANSION VALVE		P03545-01	1	1	1	1	1
42	VALVE COVER		3Y3051P01	1	1	1	1	1
43	CLAMP		P00752-01	2	2	2	2	2
44	HEAT EXCHANGER		2X0782G01	1	1	1	1	1
45	PIPE (B) - LOW SIDE		380414G01	1	1	1	1	1
46	HOLDER - EXP. VALVE 3/8		3A0107-01	1	1	1	1	1
47	CLAMP		443461-01	1	1	1	1	1
48	INSULATION		4X8643-01	2	2	2	2	2
49	NYLON TIE	CV-200	7920-0010	3	3	3	3	3
50	PIPE(D) - HOT GAS		3Y6042G01	1	1	1	1	1
51	TIE		P05042-01	4	4	4	4	4
52	BARRIER		380415M01	1	1	1	1	1
53	WIRE SADDLE		428060-02	1	1	1	1	1
54	CLAMP		P04381-01	2	2	2	2	2
55	INSULATION TUBE		H71020050	1	1	1	1	1
56	Insulation Tube		H71323B10	2	2	2	2	2
57	TIE	CV-150	7920-0003	8	8	8	8	8

