

NO. E1FE-3678

ISSUED: MAY.2012

REVISED: JUL.2014



**HOSHIZAKI  
SELF-CONTAINED CUBER**

**MODEL IM-100NE  
IM-100NE-21,-23,-C  
IM-100WNE  
IM-100WNE-21,-23**

E1FE, E1FE-D001,D002,D003,D004,D005,D006,D007,D008,D009,D013,D014

**PARTS LIST**

[HE] [KOREA, 60Hz]

A-1 JUL. 2011  
B-0 JAN. 2012  
B-1 OCT. 2012  
C-0 JAN. 2013  
D-0 JAN. 2014

## AUXILIARY CODE

U - 1

The auxiliary code is the first two characters in the serial number. The first character indicates the production year. Years progress or regress in alphabetical order. The series of letters and skipped letters depend on UL listing, production, and model. See the auxiliary code(s) and corresponding year(s) on the front cover.

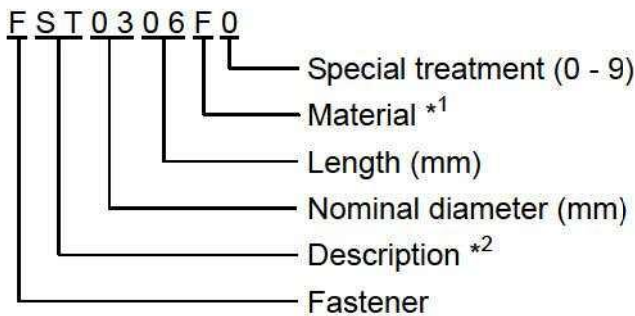
The second character indicates significant part changes within the same year. Base is "1" and this number advances for each change. If there is no significant part change at the turn of the year, this number starts from "0."

## MARKS LOCATED UNDER THE AUXILIARY CODE

- = Part deleted.
- x = Part deleted and replaced by "o" part.
- o = New part in place of "x" part.

## FASTENER PART NUMBER

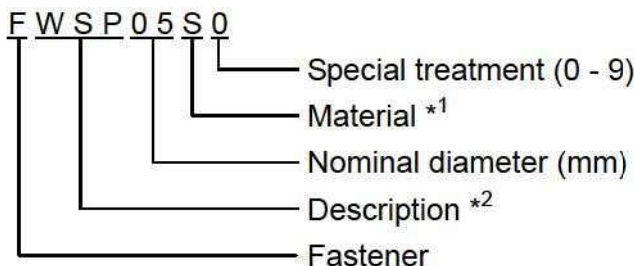
### SCREWS



\*1 **Material**

- F: Steel
- S: Austenitic stainless steel
- M: Martensitic stainless steel
- B: Copper alloy
- P: Polycarbonate
- N: Polyamide
- V: PVC
- A: ABS
- X: Polyacetal
- L: Aluminum

### NUTS & WASHERS



\*2 **Description**

- First letter
- S: Machine screw
- T: Tapping screw
- M: Wood screw
- B: Bolt
- W: Washer
- N: Nut

IM-100NE(-21,-23,-C)

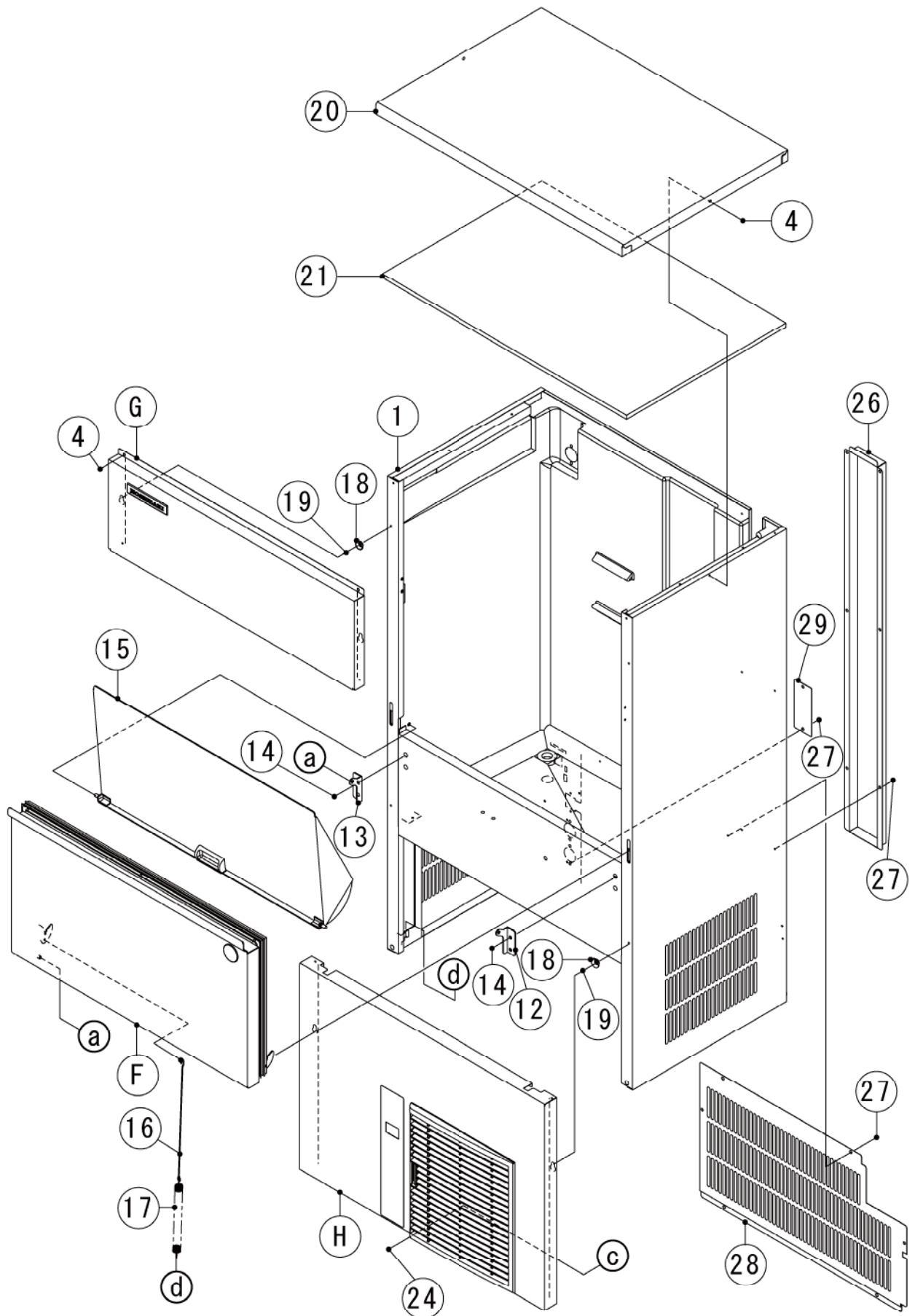
IM-100WNE(-21,-23)

IM-130NE(-21,-23)

IM-130WNE(-23)

A. ICE CUBBER ASSY (1/2)

(B-1) and later



IM-100NE(-21,-23,-C)

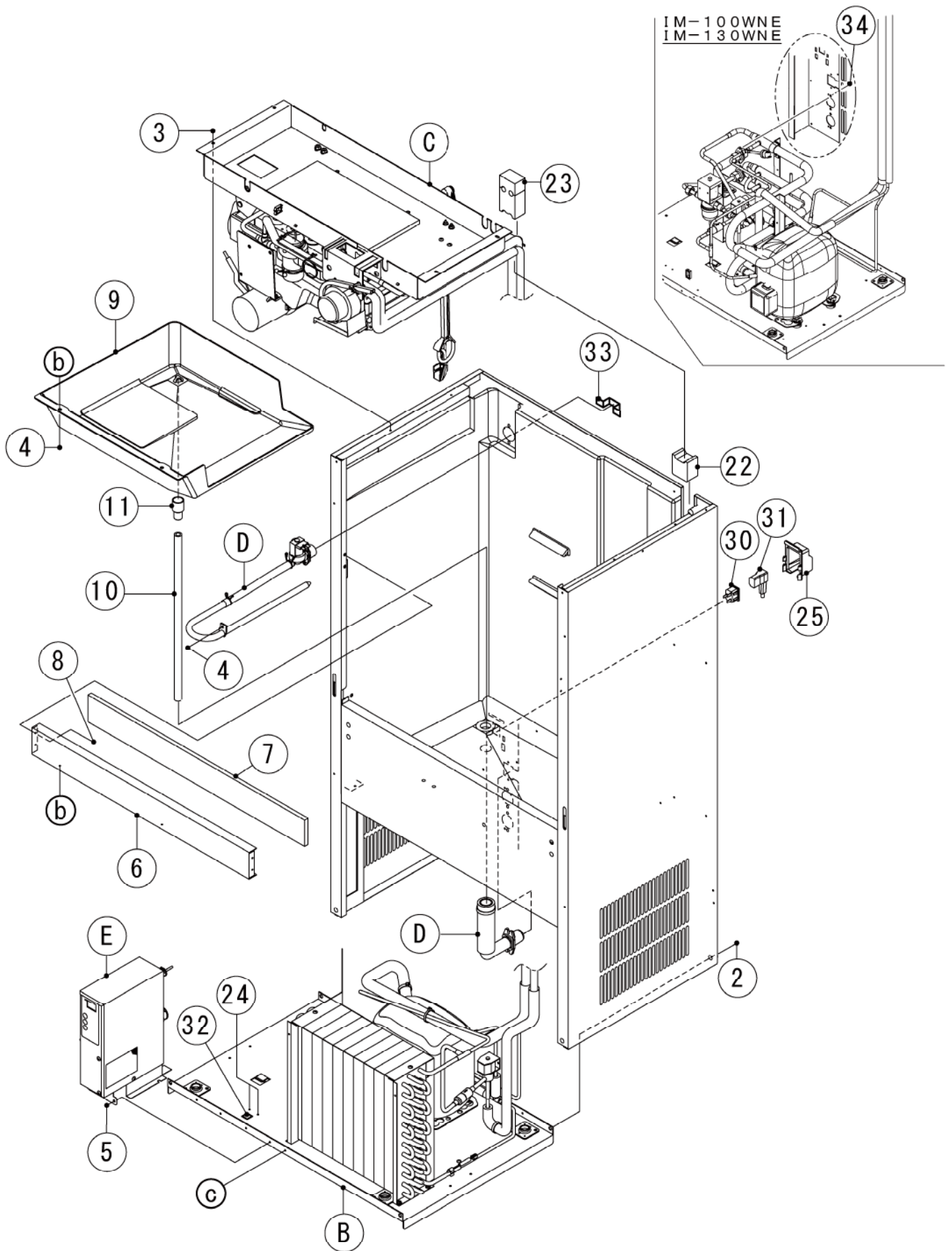
IM-100WNE(-21,-23)

IM-130NE(-21,-23)

IM-130WNE(-23)

A. ICE CUBBER ASSY (2/2)

(B-1) and later



HE,KOREA(60Hz)

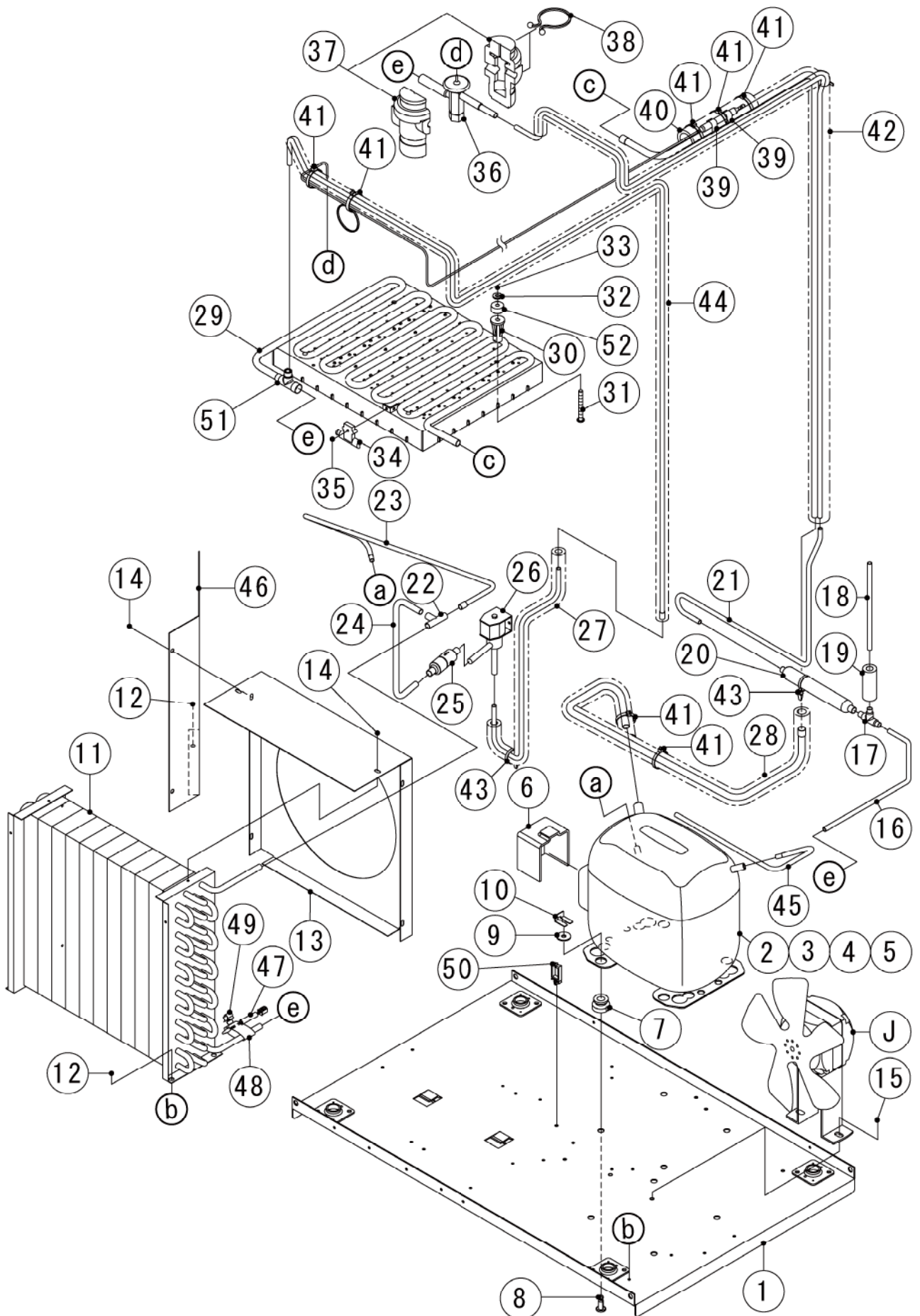
MODEL: <b>IM-100NE(-21,-23,-C)</b> <b>IM-100WNE(-21,-23)</b>		TITLE: <b>A.ICE CUBER ASSY</b>				
INDEX	DESCRIPTION	MATERIAL OR	PART	REQ'D NUMBER		
NO.		MODEL NUMBER	NUMBER	A-1 B-0	B-1,C-0 D-0	
B	REFRIGERATION ASSY		1H4953A01	1	1	
		(100WNE,-21,-23)	1H5155A01	1	1	
C	MECHANISM ASSY		1H4992A01	1	1	
		(100NE-C)	1H5391A01	-	1	
D	WATER CIRCUIT ASSY		3Y6135A01	1	1	
E	CONTROL BOX ASSY		2X0842A01	1	-	
			2X1252A01	-	1	
F	DOOR ASSY		3Y5436A01	1	1	
G	FRONT COVER UPPER ASSY		3Y6139A01	1	1	
H	FRONT COVER LOWER ASSY		3Y6141A01	1	1	
		(100WNE,-21,-23)	3Y6621A01	1	1	
1	UNIT BODY		1H4951G01	1	1	
2	TRUSS HEAD TAPPING SCREW T2	6*16	1H4392Z02	4	4	
3	TRUSS HEAD MACHINE SCREW		FST0410S0	4	4	
4	TRUSS HEAD MACHINE SCREW		FST0408S0	7	7	
5	FLANGE BOLT (S-TITE)		FTR0408M0	2	2	
6	FRONT FRAME		3Y6546M01	1	1	
7	INSULATION - FRONT FRAME		4H2687-01	1	1	
8	RIVET	SSD42SSBS(t1.6~3.2)	7170-0002	4	4	
9	DRAIN PAN		2H1935-01	1	1	
10	DRAIN PIPE		4Y7493P05	1	1	
11	DRAIN TUBE		4H2585-01	1	1	
12	HINGE (RIGHT)		4H2583-01	1	1	
13	HINGE (LEFT)		4H2584-01	1	1	
14	HEX HEAD BOLT (SPRING WASHER AND FLAT WASHER)		FBK0616S0	4	4	
15	SLOPE		3H2978G01	1	1	
16	HOOK		4H2685-01	1	1	
17	SPRING		4H0823-01	1	1	
18	TAPER COLLAR		4H0171-01	4	4	
19	RIVET	SSD42BS	7170-0001	4	4	
20	TOP PANEL		1H4995M01	1	1	
21	INSULATION - TOP PANEL		3H9602-01	1	1	
22	INSULATION (A)		4H2683-01	1	1	
23	INSULATION (B)		4Y7510P01	1	1	

HE,KOREA(60Hz)

MODEL: <b>IM-100NE(-21,-23,-C)</b> <b>IM-100WNE(-21,-23)</b>		TITLE: <b>A.ICE CUBER ASSY</b>					
INDEX NO.	DESCRIPTION	MATERIAL OR MODEL NUMBER	PART	REQ'D NUMBER			
			NUMBER	A-1 B-0	B-1,C-0 D-0		
24	PAN HEAD SCREW SW		FSK0408S0	3	3		
25	COVER - CONNECTOR	ACCESSORIES NO.6	2X0271P01	1	1		
26	COVER - PIPE		3Y6142M01	1	1		
27	TRUSS HEAD TAPPING SCREW T2		FT20408F0	14	14		
		(100WNE,-21,-23)		12	12		
28	REAR COVER		2X0843M01	1	1		
29	COVER - REAR	(100NE,-21,-23,-C)	4Y7004M01	1	1		
30	CONNECTOR		P00245-02	1	1		
31	POWER SUPPLY CORD	EU-PLUG(10A)	P03359-01	1	1		
		UK-PLUG(10A)	P03360-01	1	1		
		AS-PLUG(10A)	P03361-01	1	1		
32	LABEL - GROUND (B)		450452-02	1	1		
33	CAUTION - LABEL		452552-01	1	1		
34	S-TITE TRUSS HEAD SCREW	(100WNE,-21,-23)	FTS0408F0	4	4		

IM-100NE(-21,-23,-C)  
IM-130NE(-21,-23)

B. REFRIGERATION ASSY (B-1) and later





HE,KOREA(60Hz)

MODEL: <b>IM-100NE(-21,-23,-C)</b>		TITLE: <b>B.REFRIGERATION ASSY</b>					
INDEX	DESCRIPTION	MATERIAL OR	PART	REQ'D NUMBER			
NO.		MODEL NUMBER	NUMBER	A-1 B-0	B-1,C-0 D-0		
J	FAN MOTOR ASSY		3Y6055A01	1	1		
1	BASE(G)		3Y6034G01	1	1		
2	COMPRESSOR		452236-01	1	1		
3	STARTING RELAY		452237-01	1	1		
4	START CAPACITOR		456350-01	1	1		
5	CORD RELIEF		452239-01	1	1		
6	COVER		459924-01	1	1		
7	RUBBER GROMMET		450897-01	4	4		
8	STEEL PIN		452255-01	4	4		
9	WASHER CUSHION		450894-01	4	4		
10	CLIP		452256-01	4	4		
11	CONDENSER		P03383-01	1	1		
12	FLANGE BOLT (S-TITE)		FTR0408M0	5	5		
13	SHROUD		3Y6035M01	1	1		
14	TRUSS HEAD TAPPING SCREW T2		FT20408F0	6	6		
15	HEX HEAD BOLT (SPRING WASHER AND FLAT WASHER)		FBK0612F0	2	2		
16	PIPE(A) - HIGH SIDE		4Y7464M01	1	1		
17	TEE		456655-01	1	1		
18	PROCESS TUBE		4Y0273-01	1	1		
19	INSULATION TUBE		H71020050	1	1		
20	DRIER		458776-01	1	1		
21	PIPE(C) - HIGH SIDE		3Y6037M01	1	1		
22	TEE		420041-11	1	1		
23	PIPE(B) - HIGH SIDE		3Y6036M01	1	1		
24	PIPE(A) - HOT GAS		4Y7465M01	1	1		
25	STRAINER		P00812-01	1	1		
26	HOT GAS VALVE		P01871-01	1	1		
27	PIPE(C) - HOT GAS		3Y6038G01	1	1		
28	PIPE(B) - LOW SIDE		3Y6039G01	1	1		
29	EVAPORATOR		2H6438G01	1	1		
		(100NE-21)	2H0716G02	1	1		
	EVAPORATOR 23MM	(100NE-23)	2H1836G01	1	1		
	EVAPORATOR	(100NE-C)	2X0260G01	-	1		

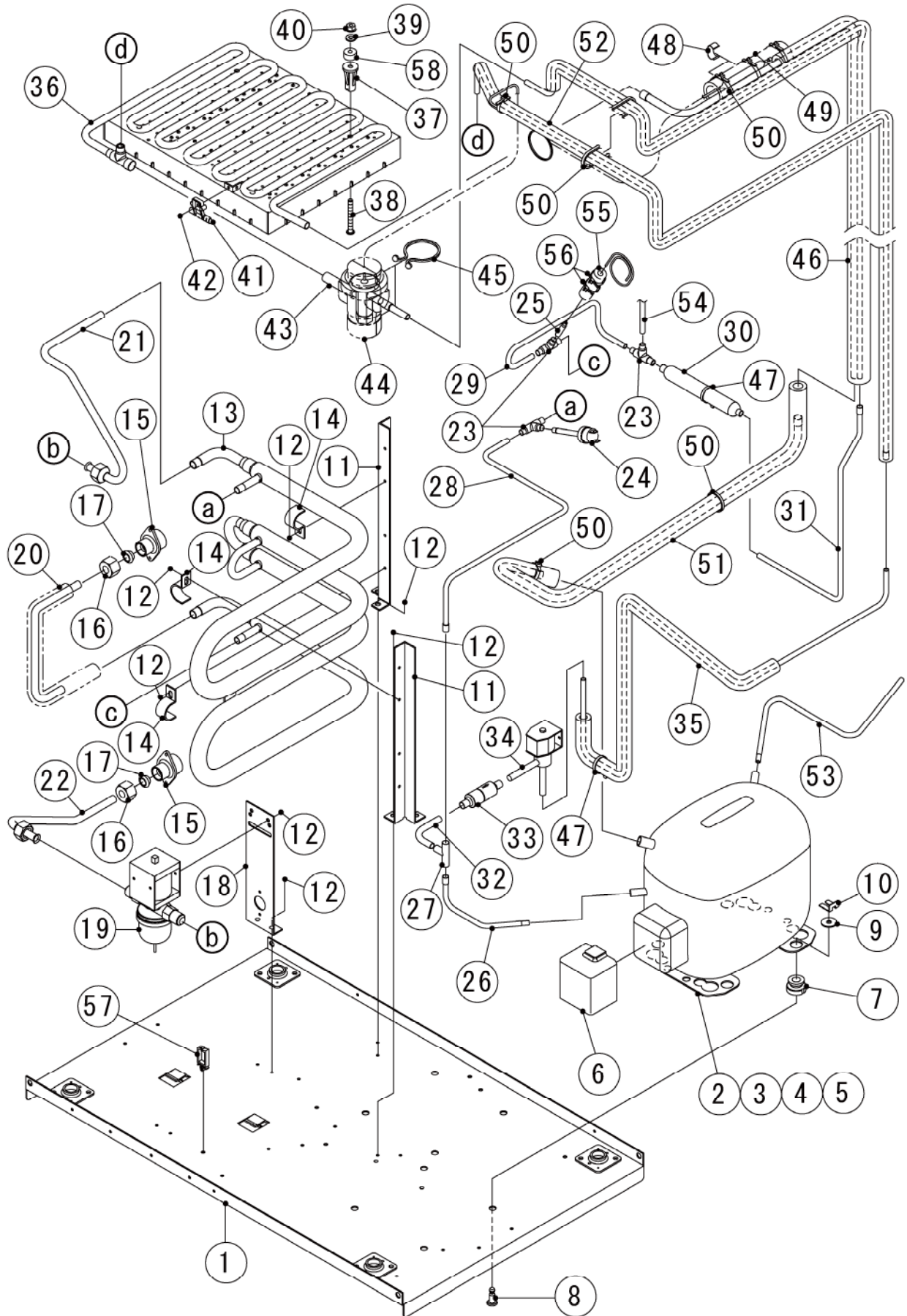


HE,KOREA(60Hz)

MODEL: <b>IM-100NE(-21,-23,-C)</b>			TITLE: <b>B.REFRIGERATION ASSY</b>				
INDEX NO.	DESCRIPTION	MATERIAL OR MODEL NUMBER	PART	REQ'D NUMBER			
			NUMBER	A-1 B-0	B-1,C-0 D-0		
30	COLLAR		3H3879-01	4	4		
	SPACER	(100NE-C)	4H0471-01	-	4		
31	SCREW EVAPORATOR		4Y4922M02	4	4		
		(100NE-21,-23)	4Y4922M03	4	4		
		(100NE-C)	4Y4922M01	-	4		
32	WASHER		4H0777-01	4	4		
33	FLANGE NUT		FNHF06S0	4	4		
34	HOLDER - THERMISTOR		3H9642-01	1	1		
35	TRUSS HEAD TAPPING SCREW (S-TITE)		FTS0408M0	1	1		
36	EXPANSION VALVE		P00650-01	1	1		
37	VALVE COVER		3Y3051P01	1	1		
38	CLAMP		P00752-01	2	2		
39	CLIP		452254-01	2	2		
40	INSULATION		4X8643-01	1	1		
41	TIE	CV-150	7920-0003	7	7		
42	HEAT EXCHANGER		2X0782G01	1	1		
43	PUSH MOUNT TIE		436156-01	2	2		
44	PIPE(D) - HOT GAS		3Y6042G01	1	1		
45	PIPE(A) - PROSESS		4Y7466M01	1	1		
46	BARRIER		3Y6144M01	1	1		
47	THERMISTOR(G) - FILTER		4Y4859G01	1	1		
48	ALUMINUM TAPE		1H4761-01	1	1		
49	CLIP - THERMISTOR		4R2938-01	1	1		
50	WIRE SADDLE		428060-02	1	1		
51	TEE	(100NE-23)	420335-01	1	1		
52	WASHER	(100NE-21)	4H1365-06	4	4		
		(100NE-23)	4H1365-05	4	4		

IM-100WNE(-21,-23)  
IM-130WNE(-23)

**B. REFRIGERATION ASSY** (B-1) and later



HE,KOREA(60Hz)

MODEL: <b>IM-100WNE(-21,-23)</b>		TITLE: <b>B.REFRIGERATION ASSY</b>					
INDEX	DESCRIPTION	MATERIAL OR	PART	REQ'D NUMBER			
NO.		MODEL NUMBER	NUMBER	A-1 B-0	B-1,C-0 D-0		
1	BASE(G)		3Y6034G01	1	1		
2	COMPRESSOR		452236-01	1	1		
3	STARTING RELAY		452237-01	1	1		
4	START CAPACITOR		456350-01	1	1		
5	CORD RELIEF		452239-01	1	1		
6	COVER		459924-01	1	1		
7	GROMMET		450897-01	4	4		
8	STEEL PIN		452255-01	4	4		
9	WASHER CUSHION		450894-01	4	4		
10	CLIP		452256-01	4	4		
11	BOLT EVAPORATOR LEG		4H0564-01	2	2		
12	T2 TRUSS HEAD SCREW		FT20408F0	11	11		
13	CONDENSER / W		2H9059G01	1	1		
14	CLAMP(B) - CONDENSER		4H0622-01	3	3		
15	FITTING(P)		3Y0747-01	2	2		
16	NUT (A) - FITTING		415713-03	2	2		
17	TAPPERED PACKING		415715-01	2	2		
18	BRACKET - WATER REGURATOR		4X5632-01	1	1		
19	WATER REGULATOR		448082-01	1	1		
20	PIPE(A) - WATER		4Y7738G01	1	1		
21	PIPE(B) - WATER		4Y7740G01	1	1		
22	PIPE(C) - WATER		4Y7739G01	1	1		
23	TEE		456655-01	3	3		
24	PRESSURE SWITCH	R134a,R22,R404A	459863-01	1	1		
25	SLEEVE		441322-01	1	1		
26	PIPE(A) - HIGH SIDE		4Y7741M01	1	1		
27	TEE		420041-11	1	1		
28	PIPE(B) - HIGH SIDE		3Y6617M01	1	1		
29	PIPE(C) - HIGH SIDE		4Y7742M01	1	1		
30	DRIER		458776-01	1	1		
31	PIPE(D) - HIGH SIDE		4Y7744M01	1	1		
32	PIPE(A) - HOT GAS		4Y7743M01	1	1		
33	STRAINER		P00812-01	1	1		
34	HOT GAS VALVE		P01871-01	1	1		
35	PIPE(B) - HOTGAS		3Y6618G01	1	1		

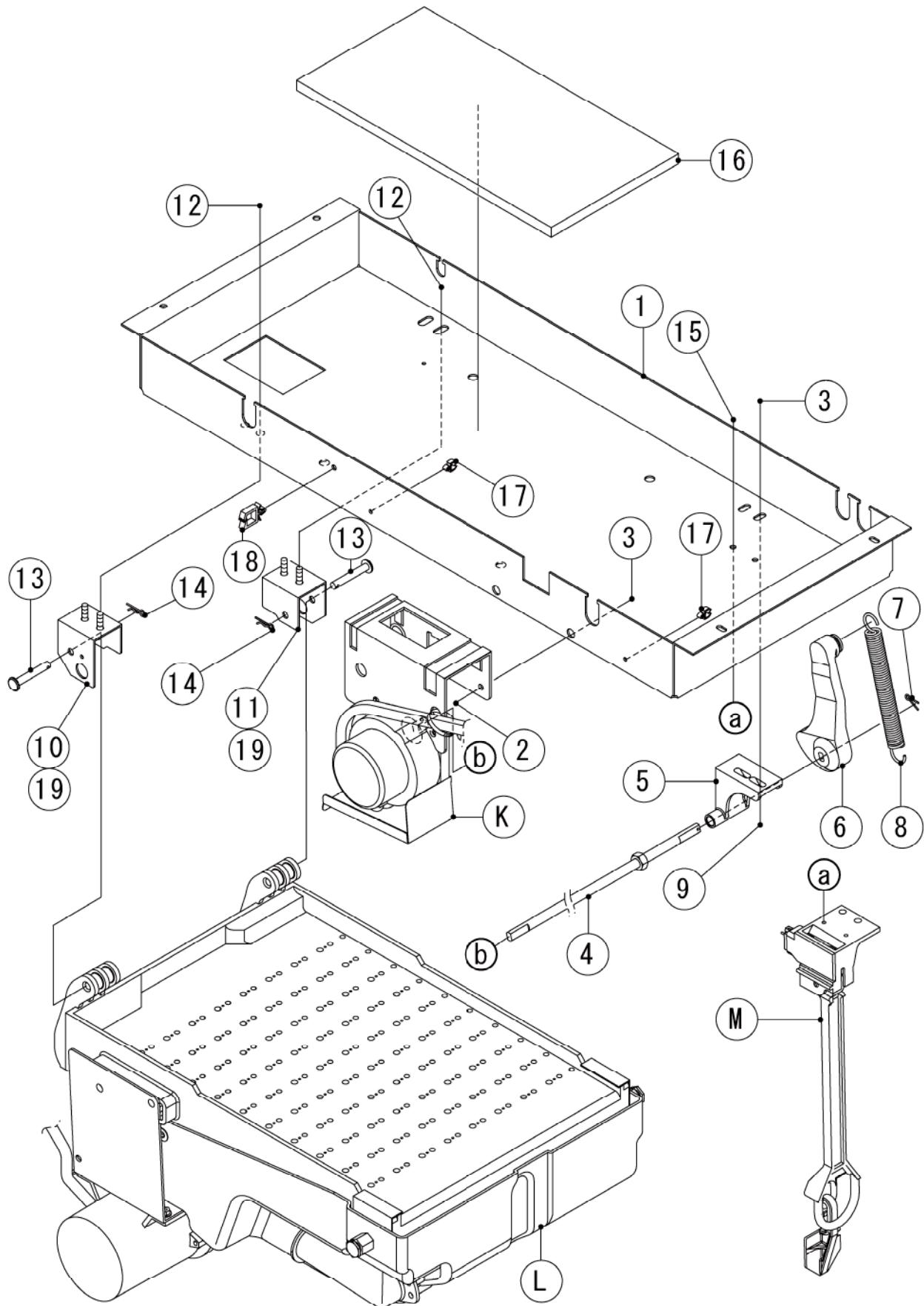
HE,KOREA(60Hz)

MODEL: <b>IM-100WNE(-21,-23)</b>			TITLE: <b>B.REFRIGERATION ASSY</b>				
INDEX NO.	DESCRIPTION	MATERIAL OR MODEL NUMBER	PART	REQ'D NUMBER			
			NUMBER	A-1 B-0	B-1,C-0 D-0		
36	EVAPORATOR		2H6438G02	1	1		
	EVAPORATOR 21MM	(100WNE-21)	2H0716G01	1	1		
	EVAPORATOR 23MM	(100WNE-23)	2H1836G01	-	1		
37	COLLAR		3H3879-01	4	4		
38	SCREW EVAPORATOR		4Y4922M02	4	4		
		(100WNE-21,-23)	4Y4922M03	4	4		
39	WASHER		4H0777-01	4	4		
40	FLANGE NUT		FNHF06S0	4	4		
41	HOLDER - THERMISTOR		315479-01	1	1		
42	S-TITE TRUSS HEAD SCREW		FTS0408M0	1	1		
43	EXPANSION VALVE		P00650-01	1	1		
44	VALVE COVER		3Y3051P01	1	1		
45	CLAMP		P00752-01	2	2		
46	HEAT EXCHANGER		2X0782G01	1	1		
47	PUSH MOUNT TIE		436156-01	2	2		
48	CLIP		452254-01	2	2		
49	INSULATION		4X8643-01	1	1		
50	TIE	CV-150	7920-0003	7	7		
51	PIPE(B) - LOW SIDE		3Y6619G01	1	1		
52	PIPE(D) - HOT GAS		3Y6042G01	1	1		
53	PIPE(A) - PROSESS		4Y7745M01	1	1		
54	PROCESS TUBE		4Y0273-01	1	1		
55	INSULATION - CAP		4H9594-01	1	1		
56	TIE	CV-100	7920-0002	2	2		
57	WIRE SADDLE		428060-03	1	1		
58	WASHER	(100WNE-21)	4H1365-06	4	4		
		(100WNE-23)	4H1365-05	4	4		

IM-100NE(-21,-23,-C)  
IM-100WNE(-21,-23)  
IM-130NE(-21,-23)  
IM-130WNE(-23)

### C. MECHANISM ASSY

(B-1) and later





IM-100NE(-21,-23,-C)

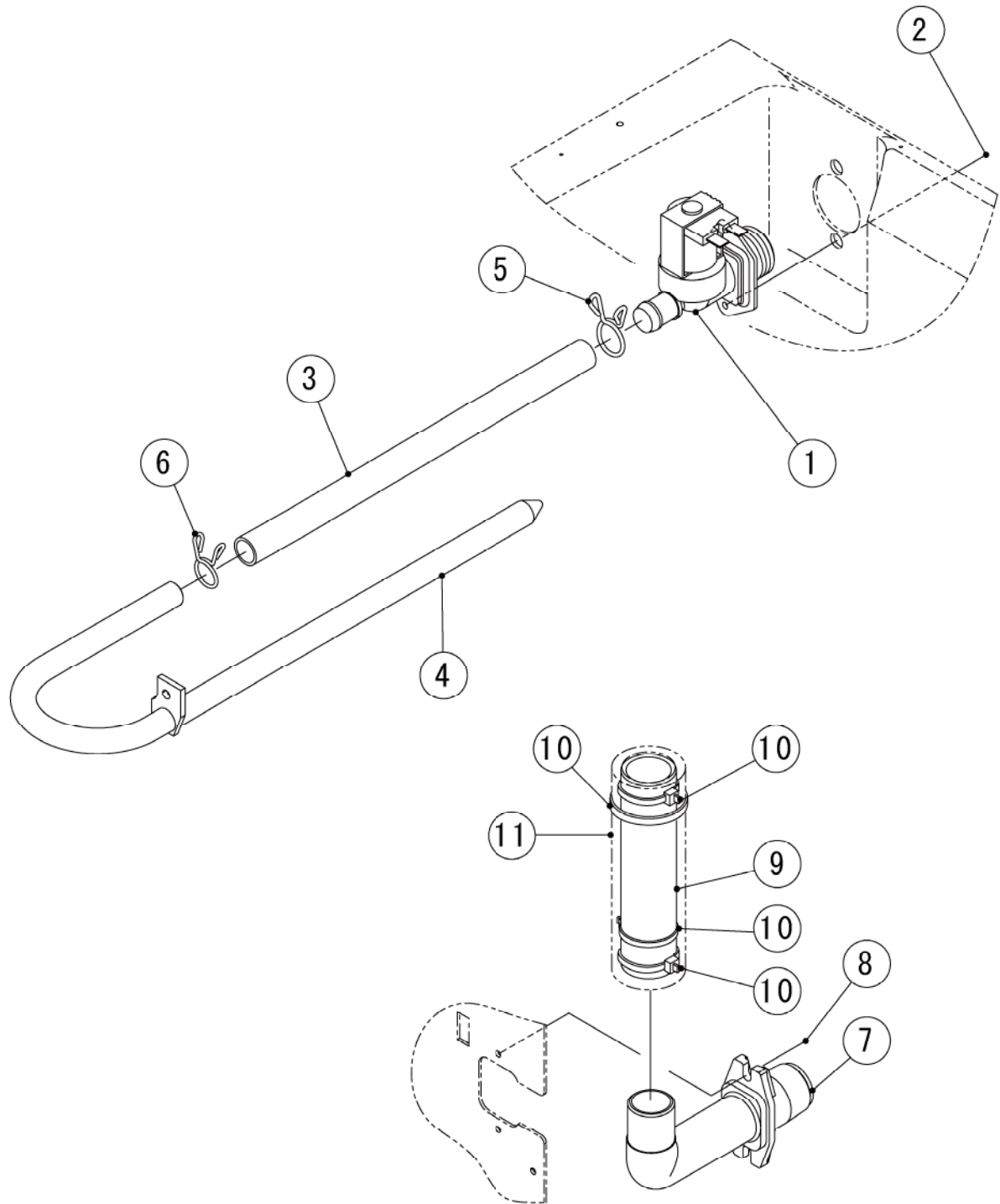
IM-100WNE(-21,-23)

IM-130NE(-21,-23)

IM-130WNE(-23)

D. WATER CIRCUIT ASSY

(B-1) and later







IM-100NE(-21,-23,-C)

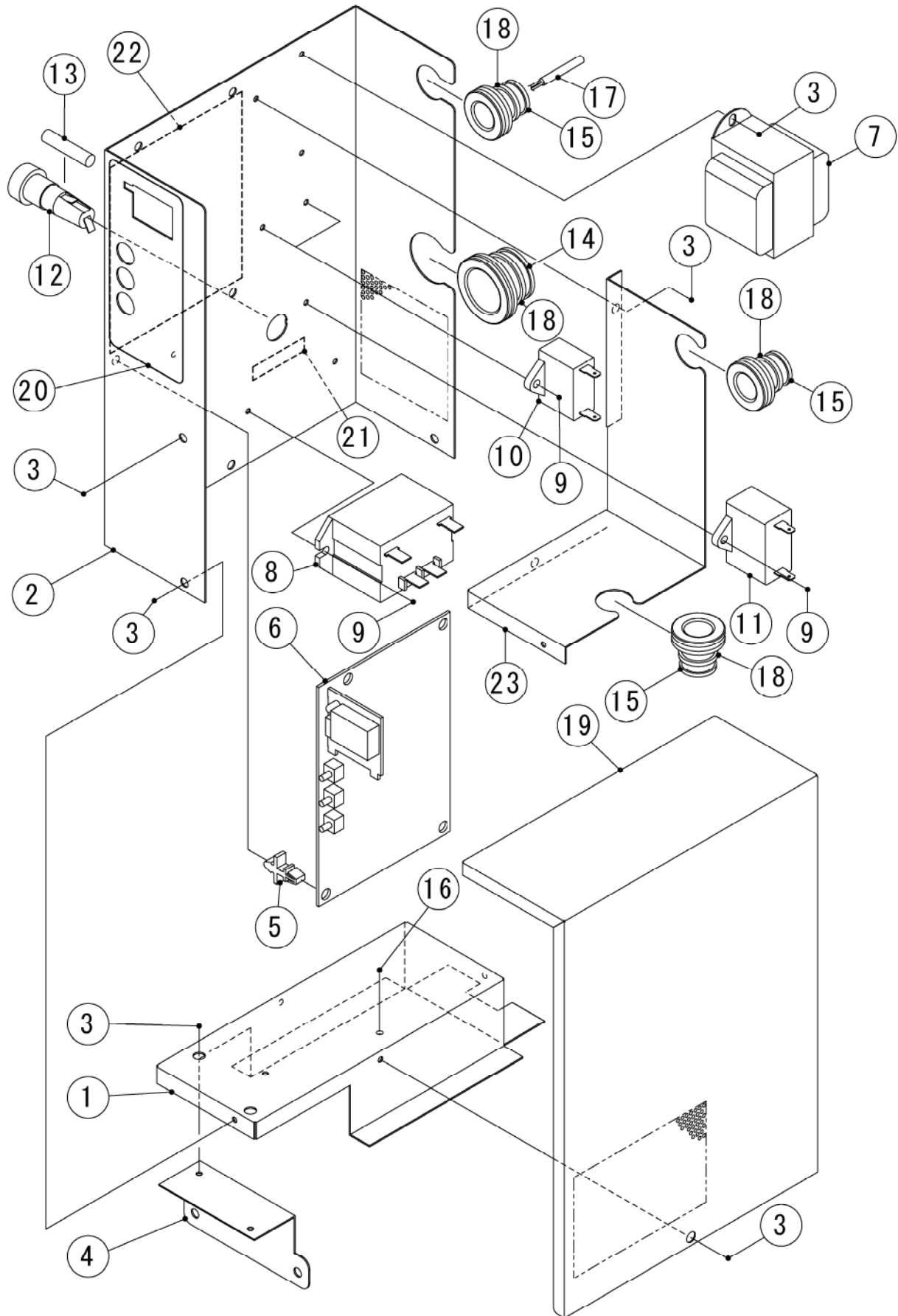
IM-100WNE(-21,-23)

IM-130NE(-21,-23)

IM-130WNE(-23)

### E. CONTROL BOX ASSY

(B-1) and later

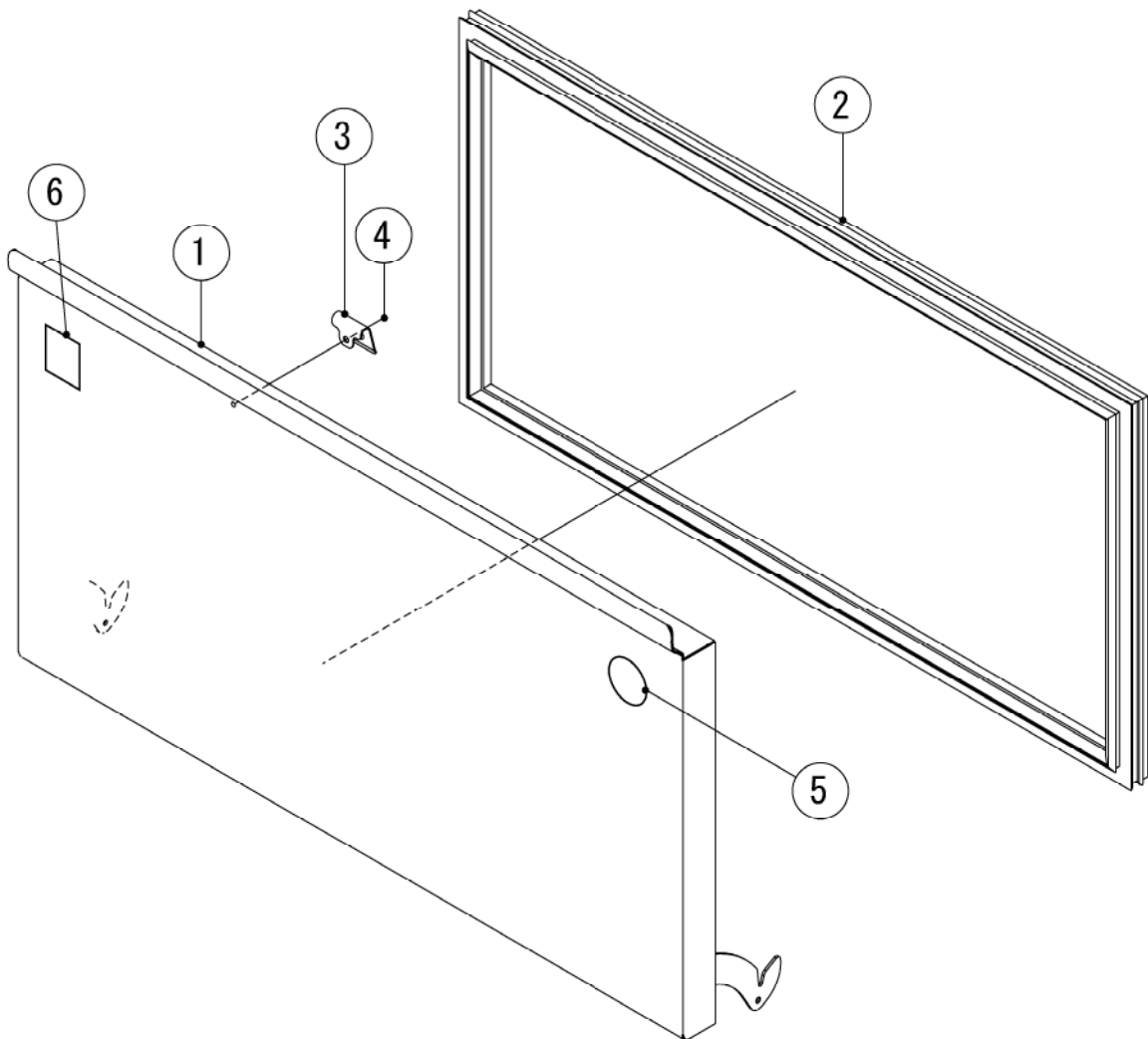




IM-100NE(-21,-23,-C)  
IM-100WNE(-21,-23)  
IM-130NE(-21,-23)  
IM-130WNE(-23)

### F. DOOR ASSY

(B-1) and later



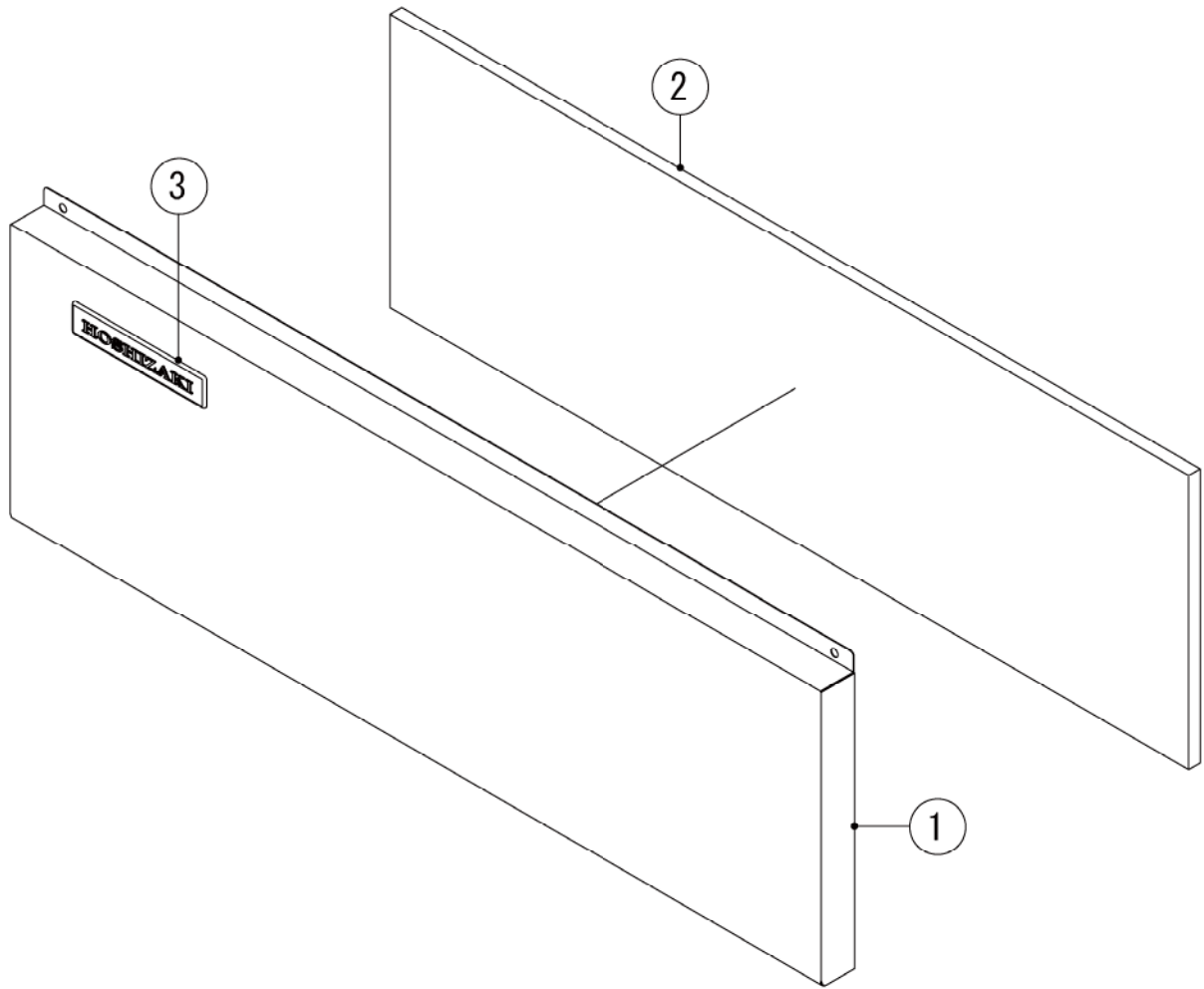


IM-100NE(-21,-23,-C)

IM-100WNE(-21,-23)

IM-130NE(-21,-23)

IM-130WNE(-23) G. FRONT COVER UPPER ASSY (B-1) and later





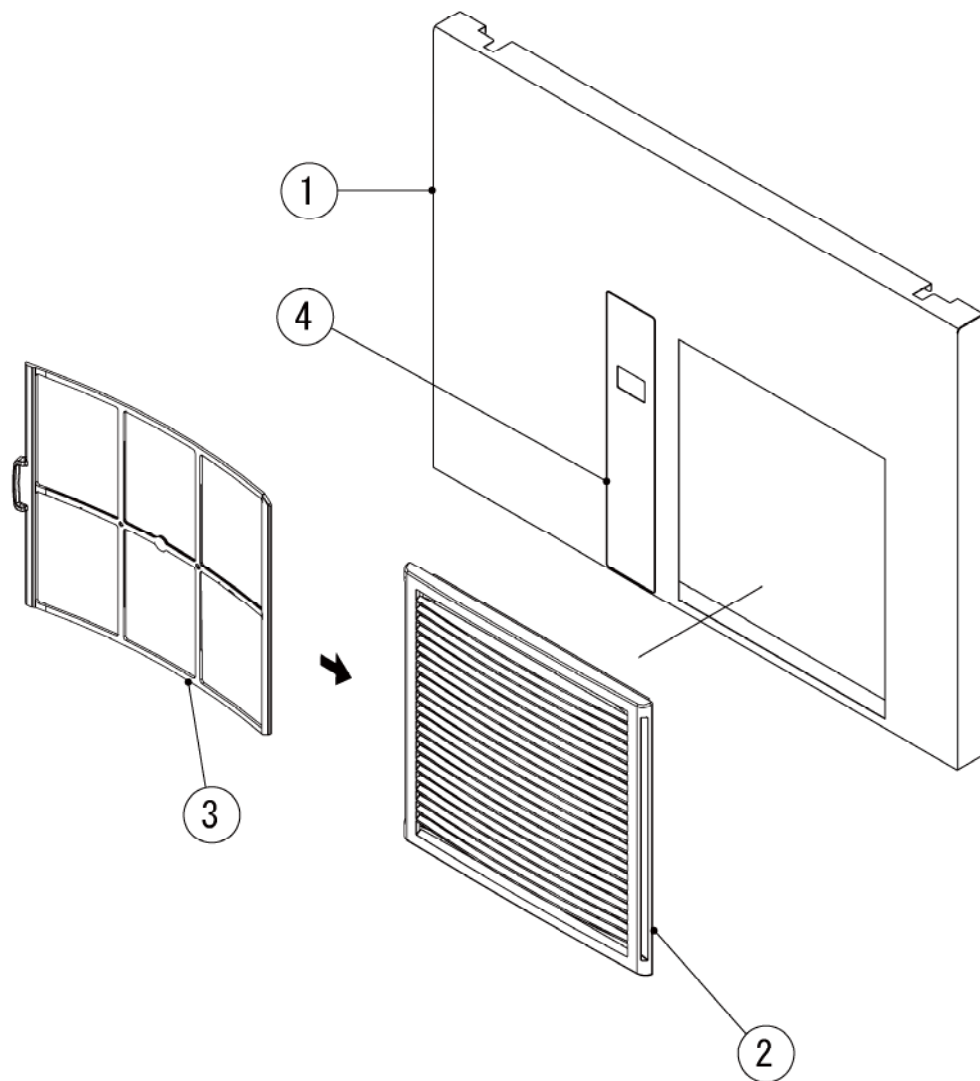


IM-100NE(-21,-23,-C)

IM-100WNE(-21,-23)

IM-130NE(-21,-23)

IM-130WNE(-23) H. FRONT COVER LOWER ASSY (B-1) and later

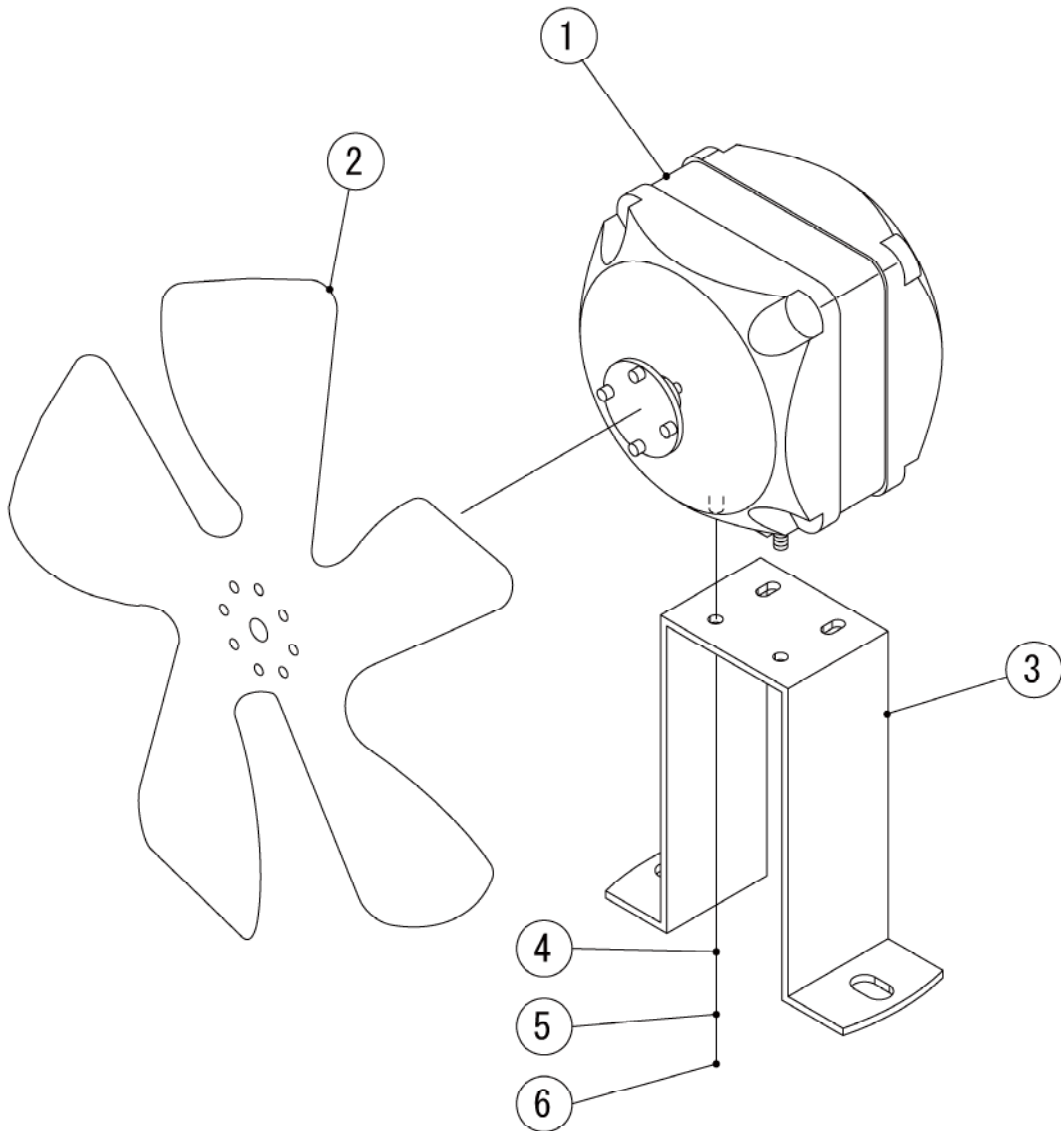




IM-100NE(-21,-23,-C)  
IM-100WNE(-21,-23)  
IM-130NE(-21,-23)  
IM-130WNE(-23)

J. FAN MOTOR ASSY

(B-1) and later





IM-100NE(-21,-23,-C)

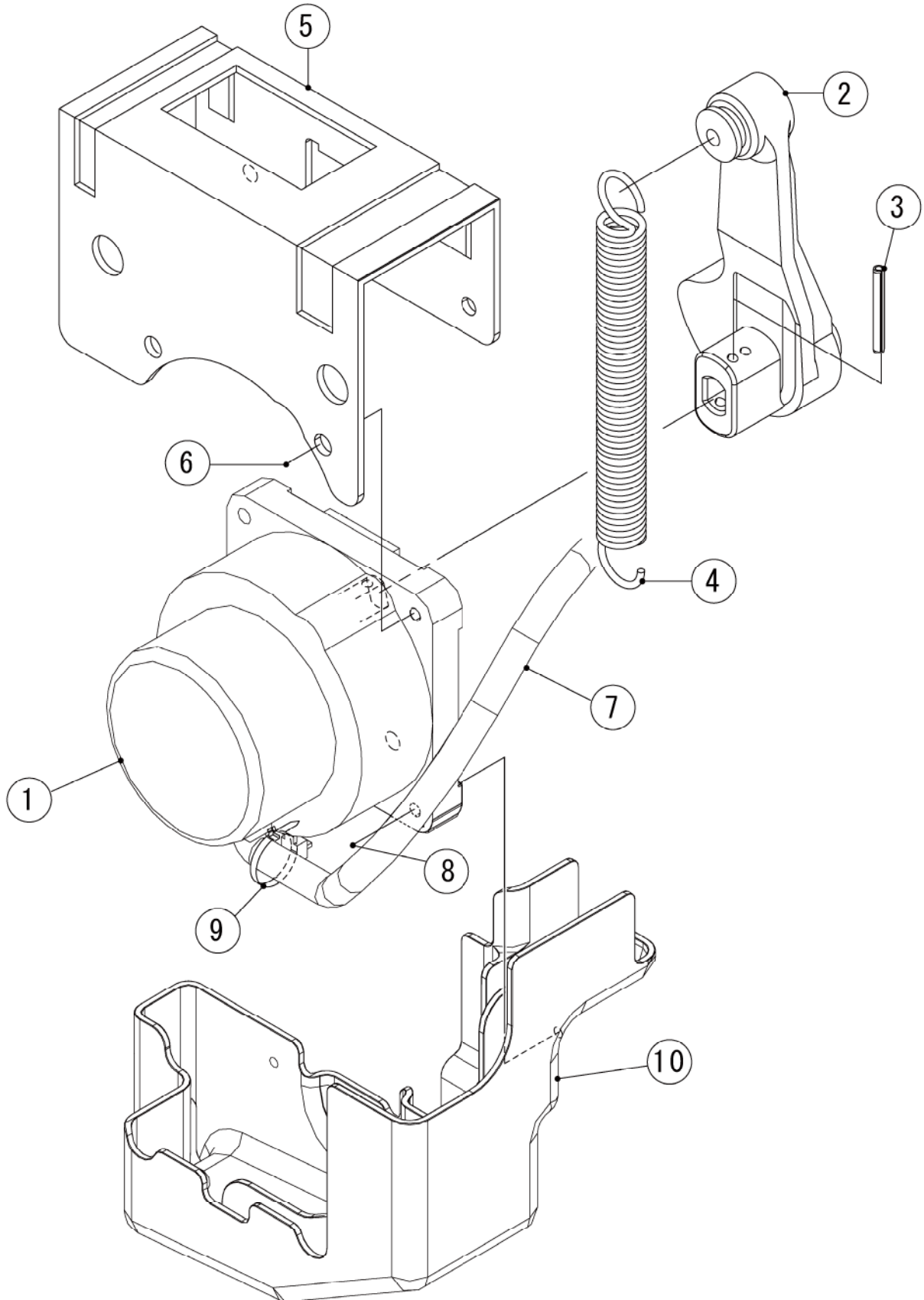
IM-100WNE(-21,-23)

IM-130NE(-21,-23)

IM-130WNE(-23)

K. ACTUATOR MOTOR ASSY

(B-1) and later

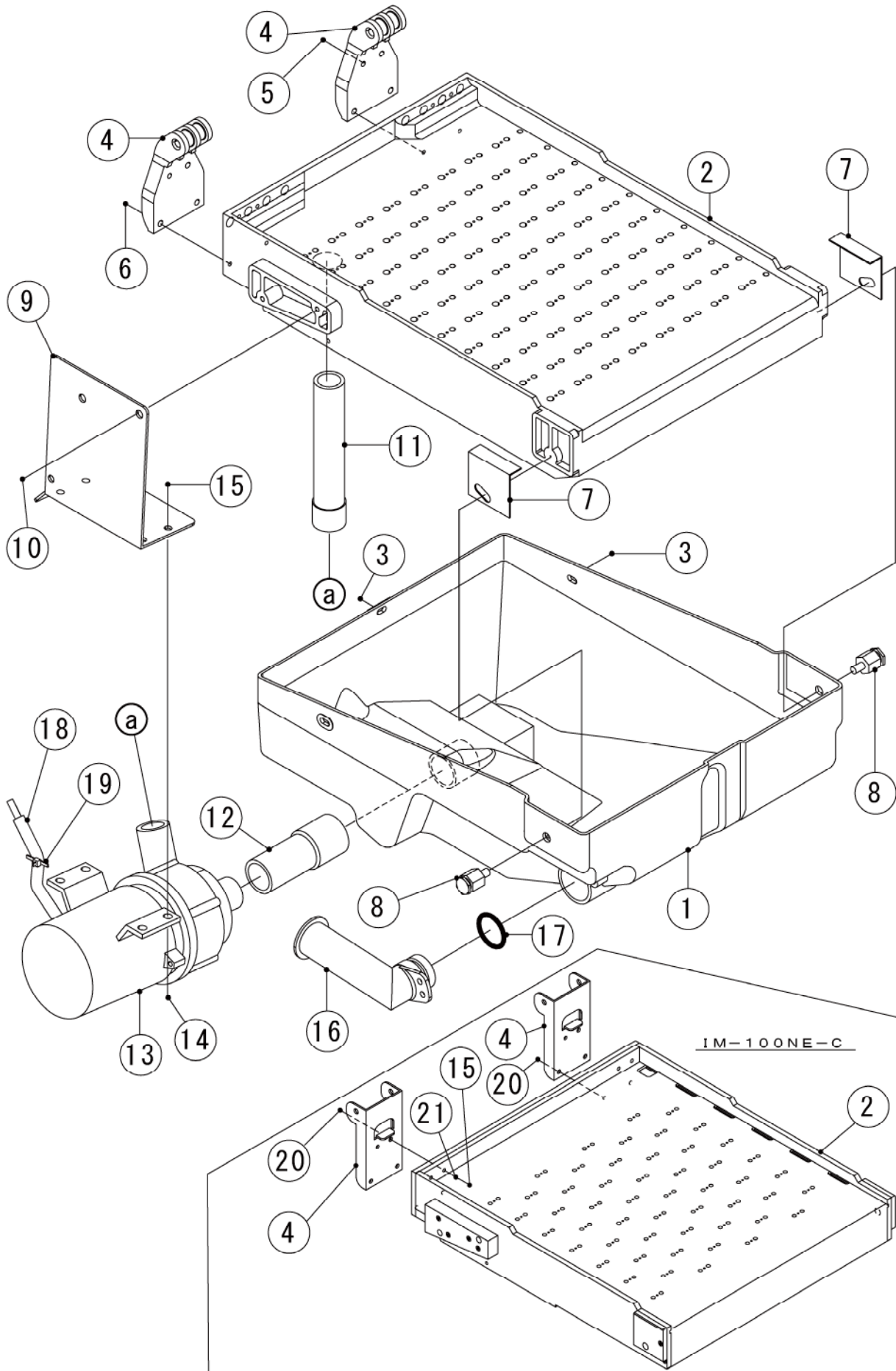




IM-100NE(-21,-23,-C)  
IM-100WNE(-21,-23)  
IM-130NE(-21,-23)  
IM-130WNE(-23)

### L. WATER PAN ASSY

(B-1) and later







IM-100NE(-21,-23,-C)

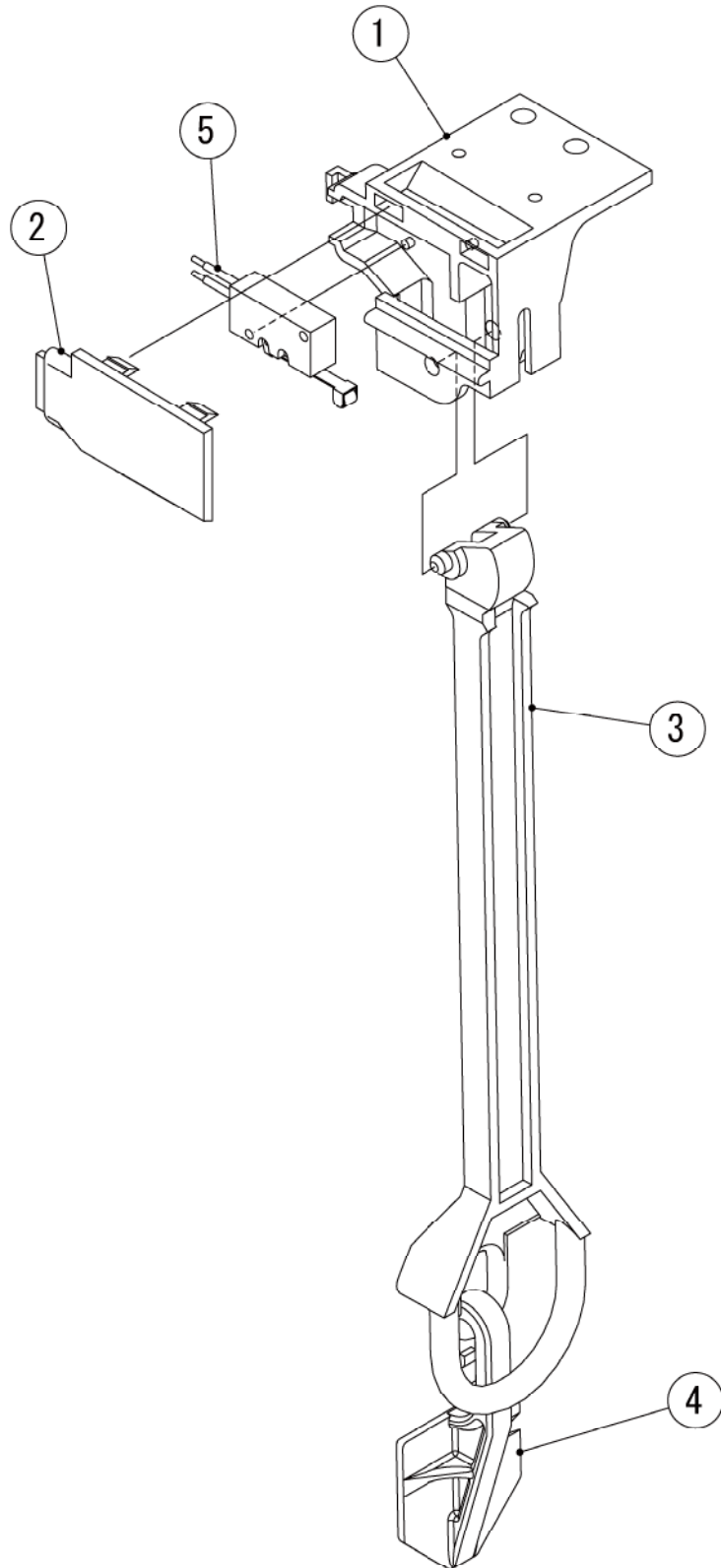
IM-100WNE(-21,-23)

IM-130NE(-21,-23)

IM-130WNE(-23)

M. BIN CONTROL SWITCH

(B-1) and later





IM-100NE(-21,-23,-C)  
IM-100WNE(-21,-23)  
IM-130NE(-21,-23)  
IM-130WNE(-23)

N. ACCESSORIES

(B-1) and later

