



DRAFT BEER DISPENSER

DBF-AS65WE-EU-HC

PARTS LIST

[Europe]

B078-C101

A-0 JUL. 2021

B078-5176 (1222)

List of Specifications

DBF-AS65WE-EU-HC	B078-C101	For Europe

AUXILIARY CODE

U - 1

The auxiliary code is the first two characters in the serial number. The first character indicates the production year. Years progress or regress in alphabetical order. The series of letters and skipped letters depend on UL listing, production, and model. See the auxiliary code(s) and corresponding year(s) on the front cover.

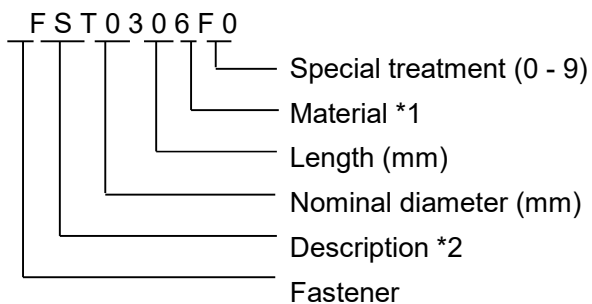
The second character indicates significant part changes within the same year. Base is "1" and this number advances for each change. If there is no significant part change at the turn of the year, this number starts from "0."

MARKS LOCATED UNDER THE AUXILIARY CODE

- = Part deleted.

FASTENER PART NUMBER

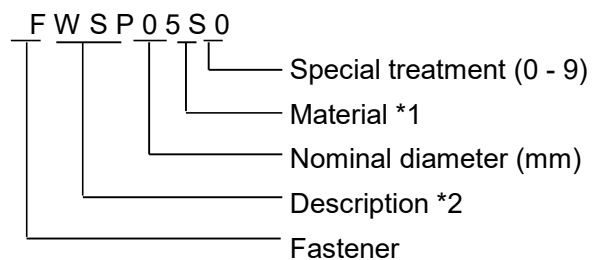
SCREWS



*1 Material

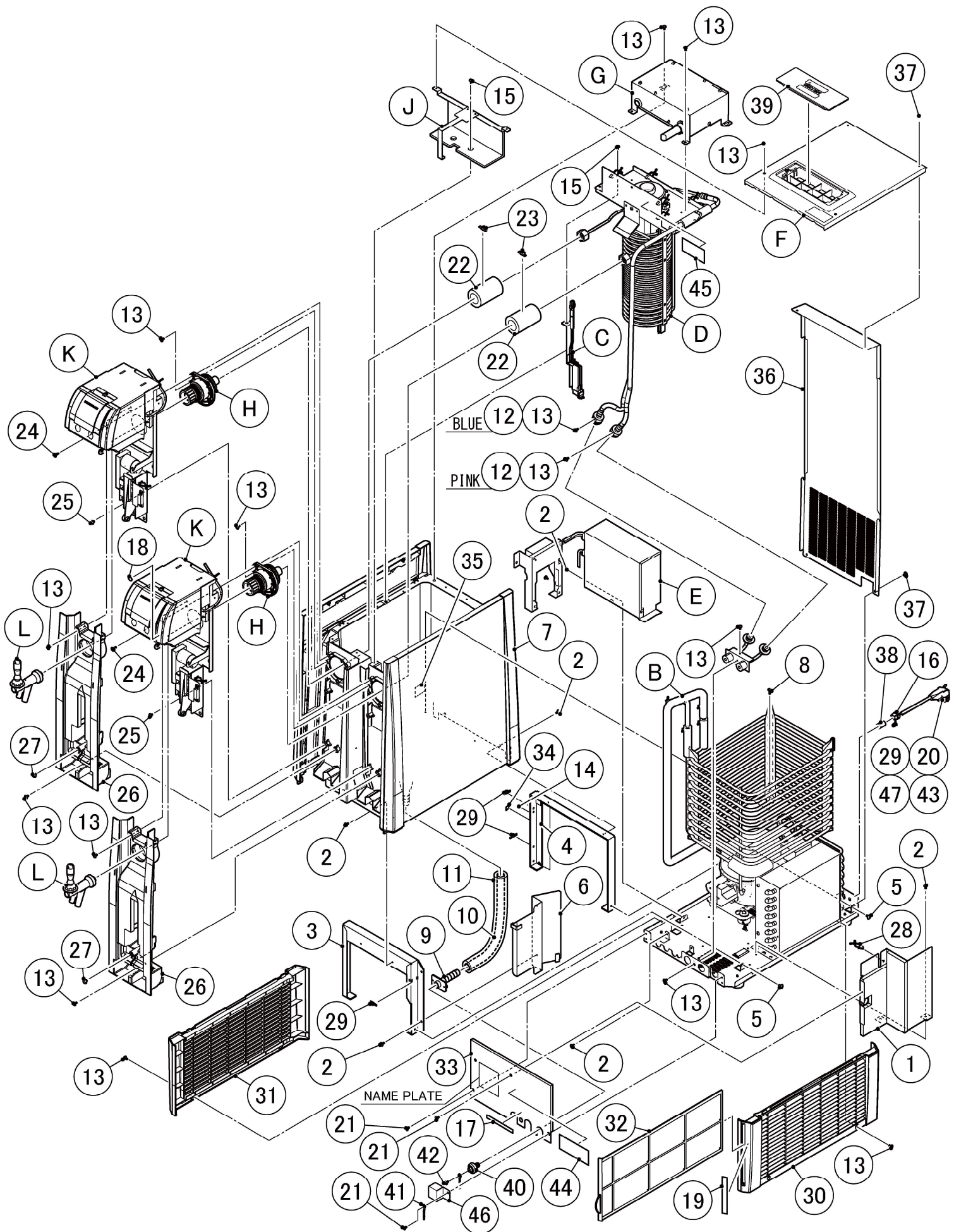
F: Steel
S: Austenitic stainless steel
M: Martensitic stainless steel
B: Copper alloy
P: Polycarbonate
N: Polyamide
V: PVC
A: ABS
X: Polyacetal
L: Aluminum

NUTS & WASHERS



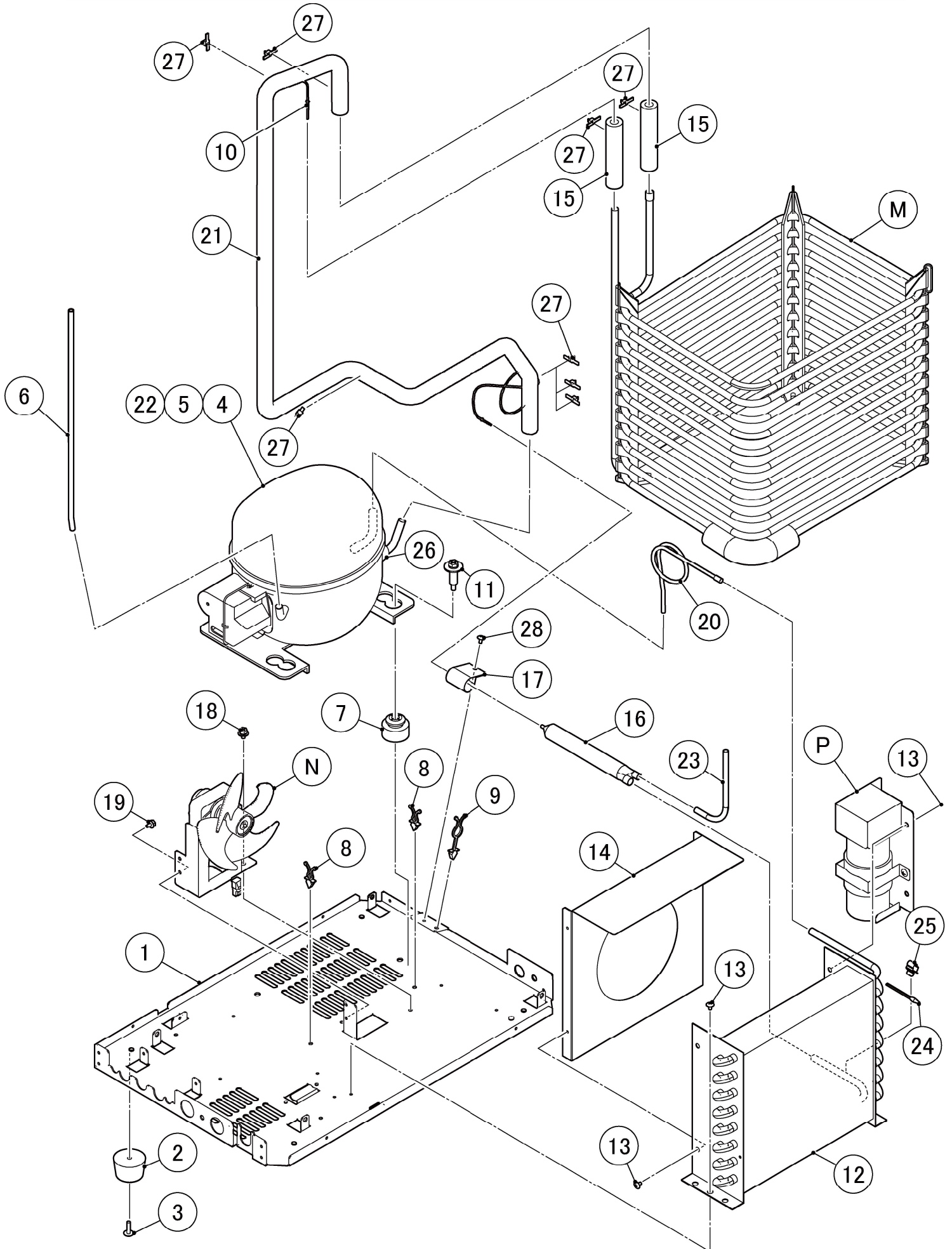
*2 Description

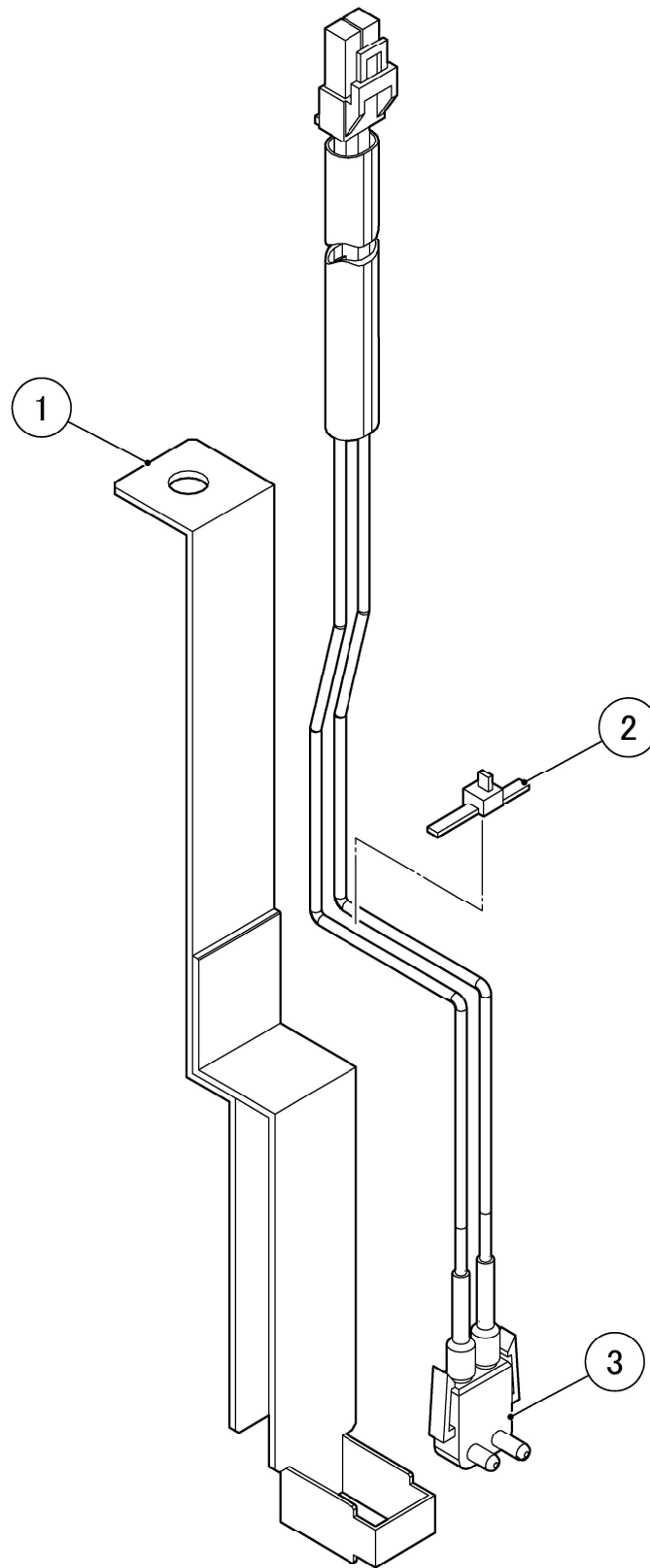
First letter
S: Machine screw
T: Tapping screw
M: Wood screw
B: Bolt
W: Washer
N: Nut

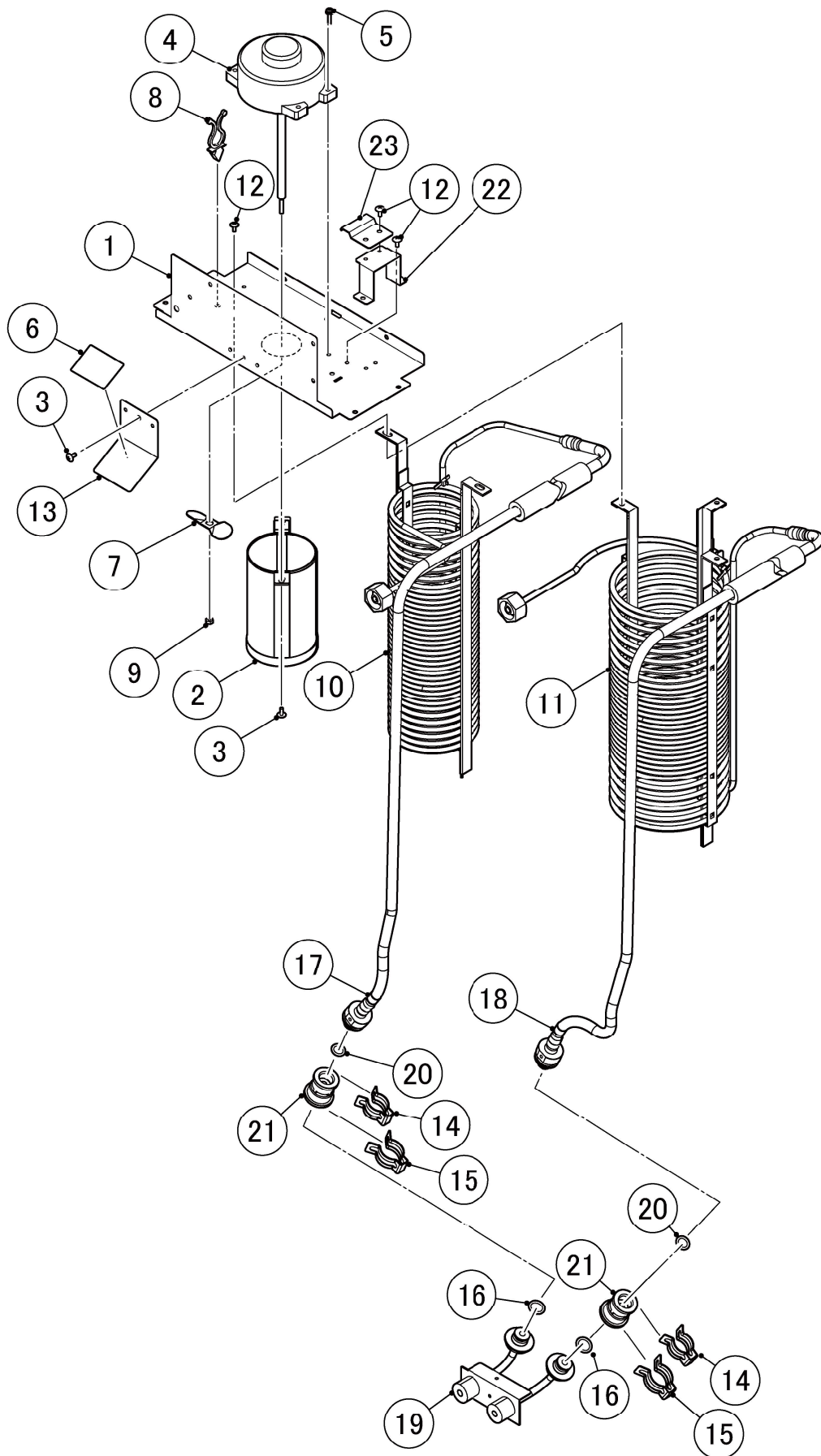


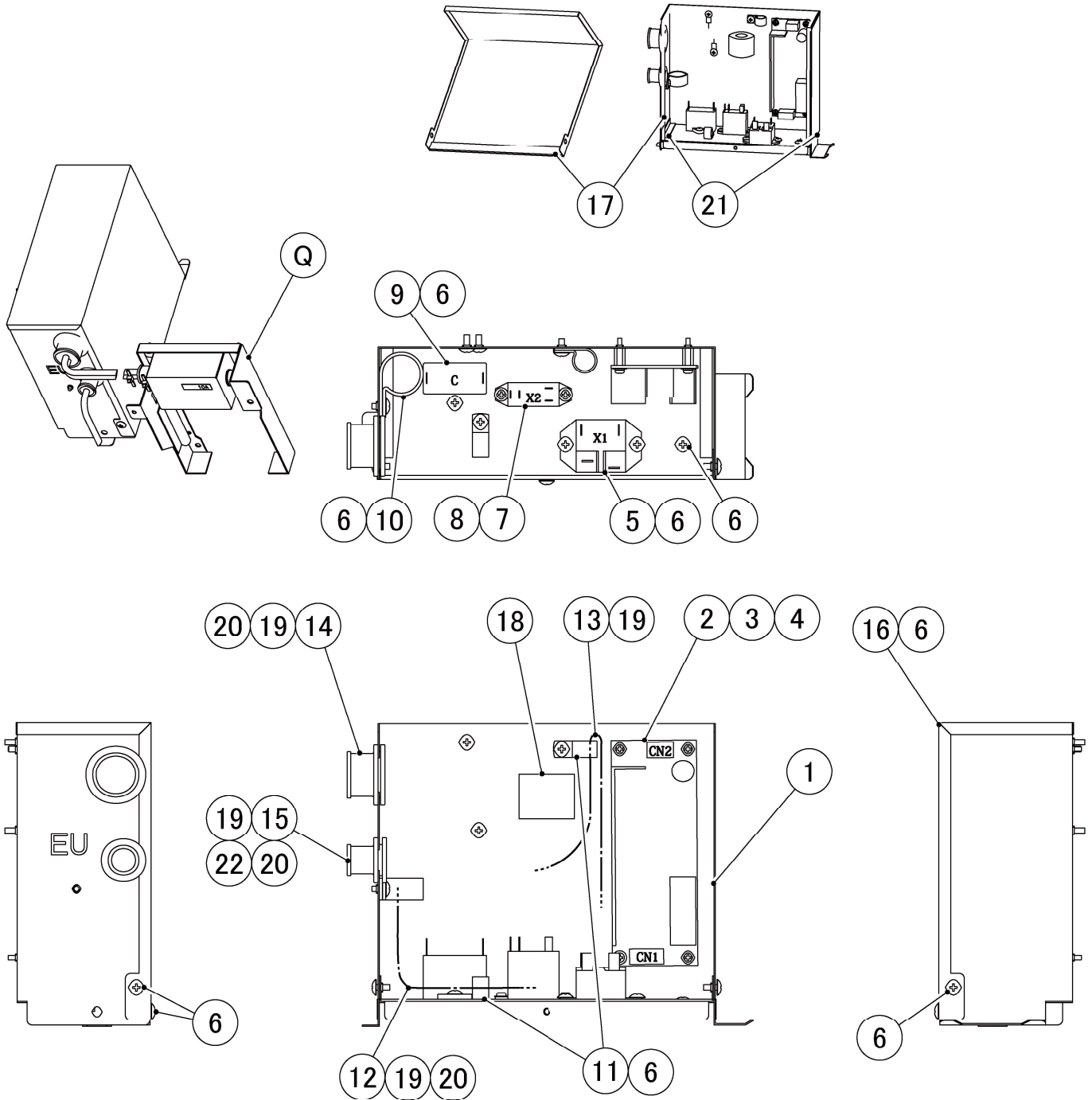
MODEL: **DBF-AS65WE-EU-HC** TITLE: **A. BEER DISPENSER ASSY**

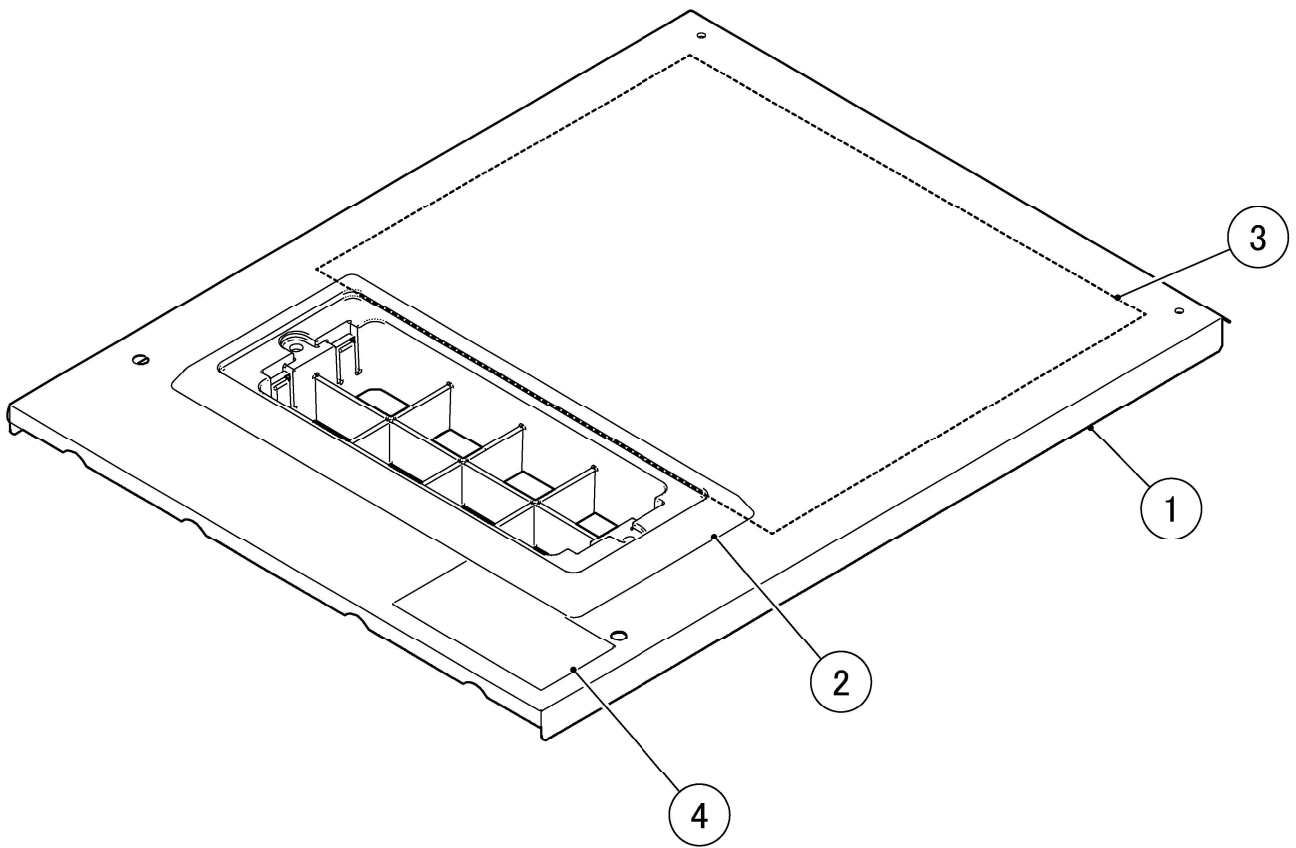
INDEX NO.	DESCRIPTION	MATERIAL OR MODEL NUMBER	PART NUMBER	REQ'D NUMBER				
				A-0				
B	REFRIGERATION ASSY		1H6398A01	1				
C	SENSOR ASSY		381468001	1				
D	COIL ASSY		2X4481A01	1				
E	RELAY BOX ASSY		2X4603A01	1				
F	COVER TOP ASSY		3Z2167A01	1				
G	CONTROL BOX ASSY		383137A08	1				
H	SHAFT ASSY - TAP		381472A01	2				
J	BRACKET - TOP		382076A01	1				
K	ACTUATOR ASSY		381520003	2				
L	TAP ASSY		2X5326A01	2				
X	ACCESSORIES		A03920-01	1				
1	SHROUD		382027G01	1				
2	TRUSS HEAD SCREW		FST0408F0	11				
3	ANGLE (A) - TANK		382050G01	1				
4	ANGLE (B) - TANK		3Z1205G01	1				
5	TRUSS HEAD SCREW		FST0508F0	4				
6	GUIDE - FILTER		382078G01	1				
7	TANK - INSULATION		2X4482G01	1				
8	TRUSS HEAD TAPPING SCREW T2		FT20412M0	3				
9	DRAIN PIPE		359365-01	1				
10	VINYL HOSE		HA1519320	1				
11	INSULATION TUBE		H72040320	1				
12	HARNESS- BEER		381752G01	1				
13	TRUSS HEAD SCREW		FST0408S0	24				
14	PAN HEAD SCREW SW - THIN PLATE		P03873-01	1				
15	T1 TRUSS HEAD SCREW		FT10408M0	6				
16	BUSHING		448949-01	1				
17	LABEL - TAP		485971L01	1				
18	LABEL - PENGUIN		466822-01	1				
19	LABEL - AIR FILTER		485973L01	1				
20	POWER SUPPLY CORD ASSY		3Z1685G01	1				

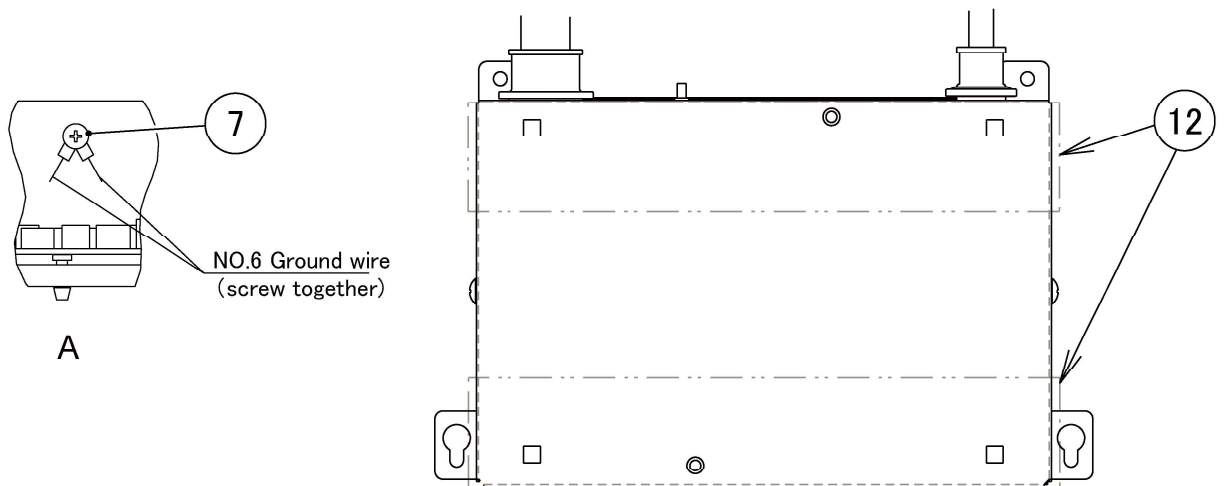
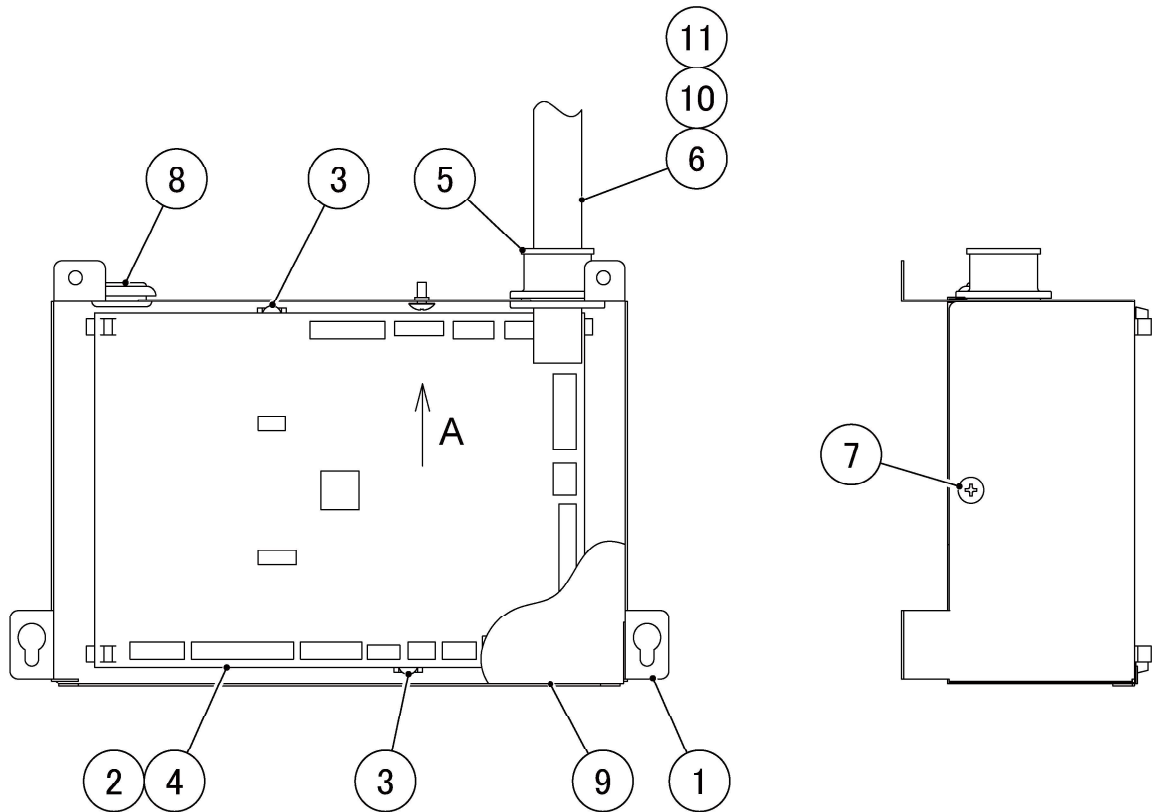


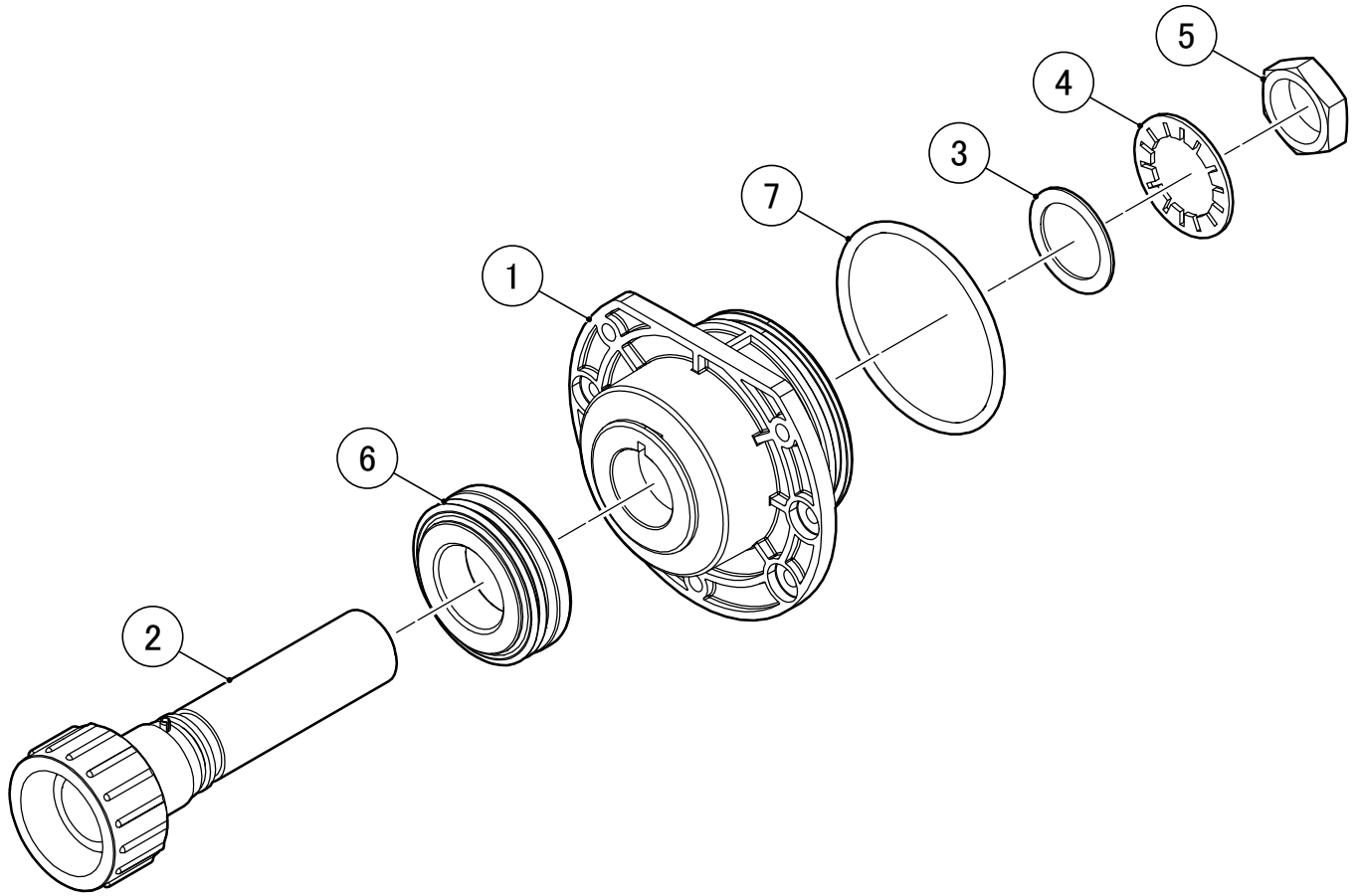


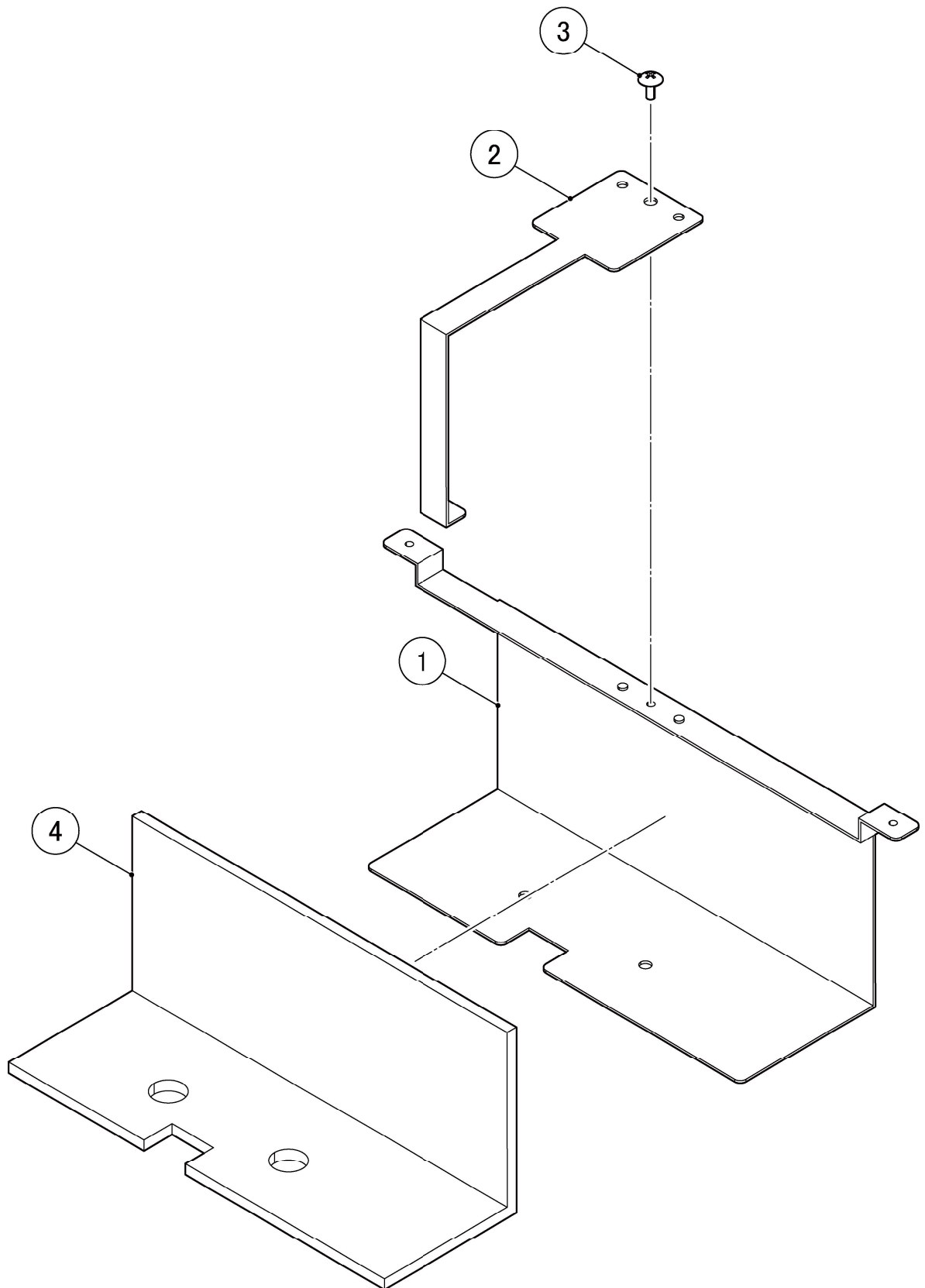


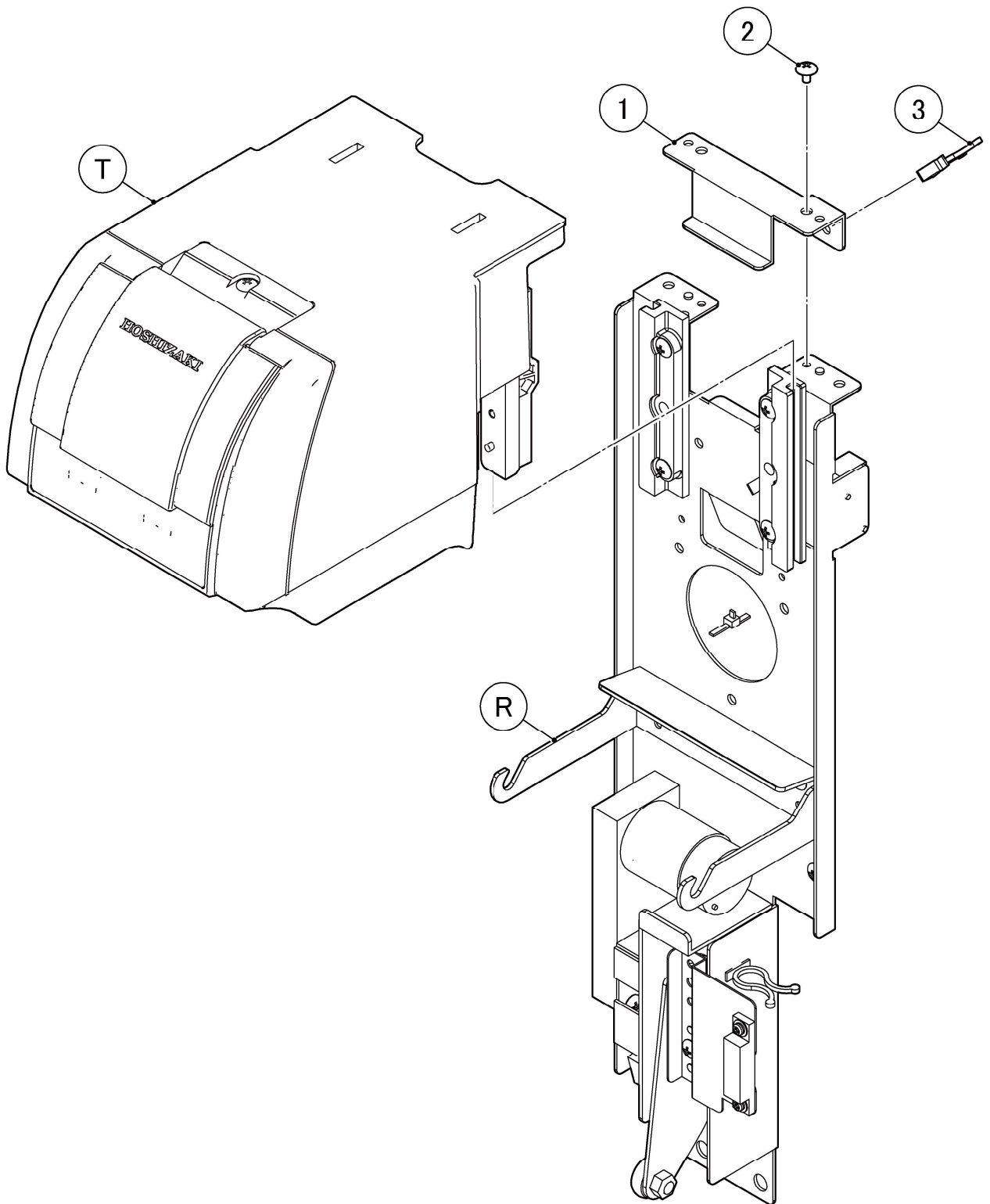


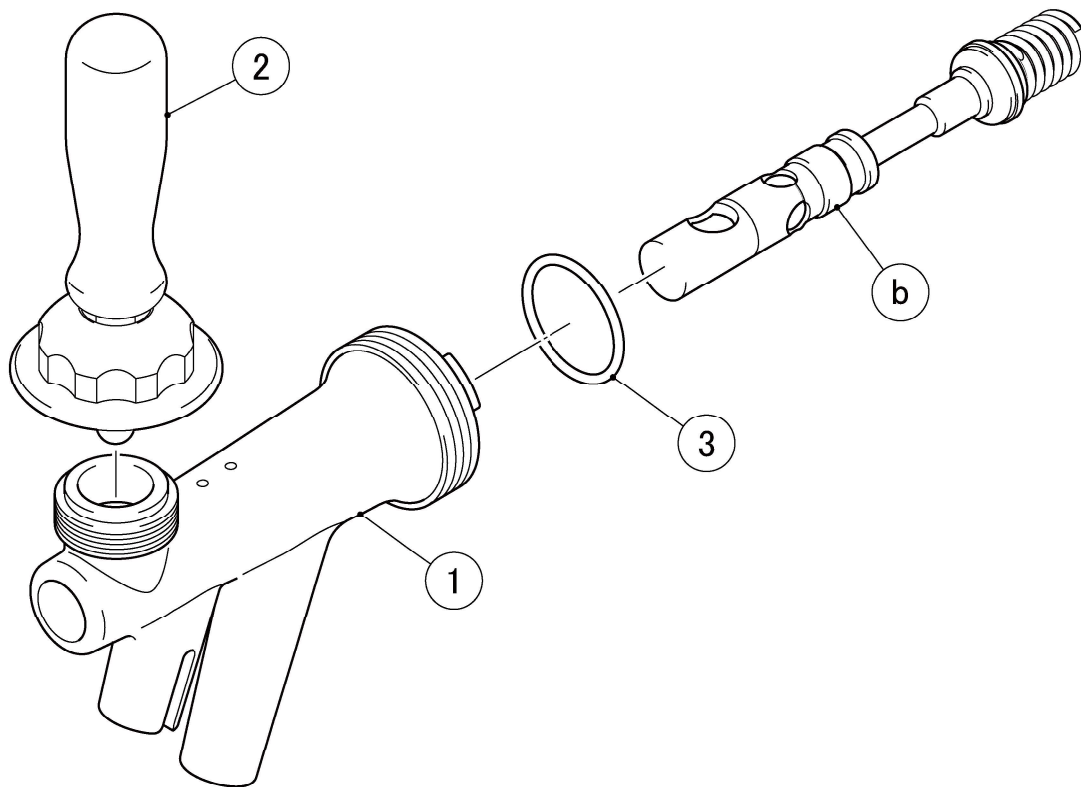


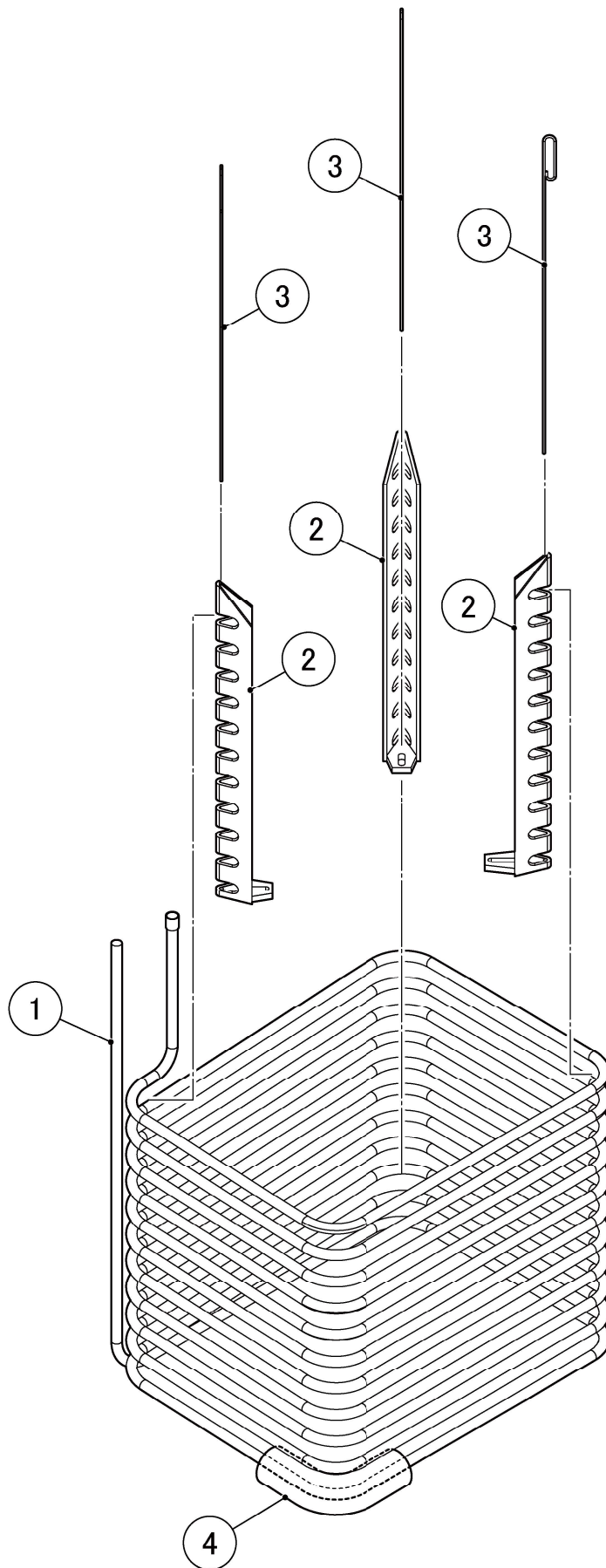


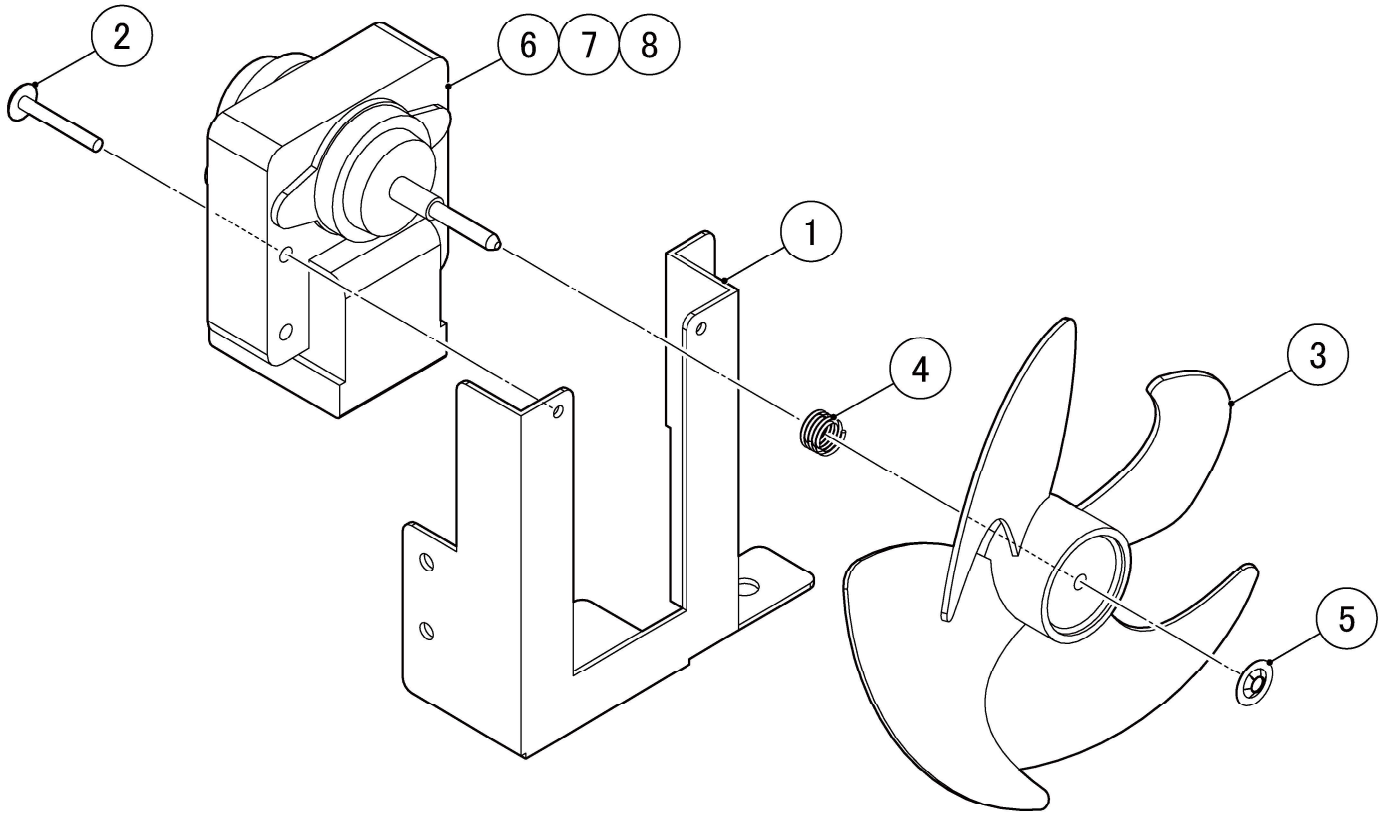


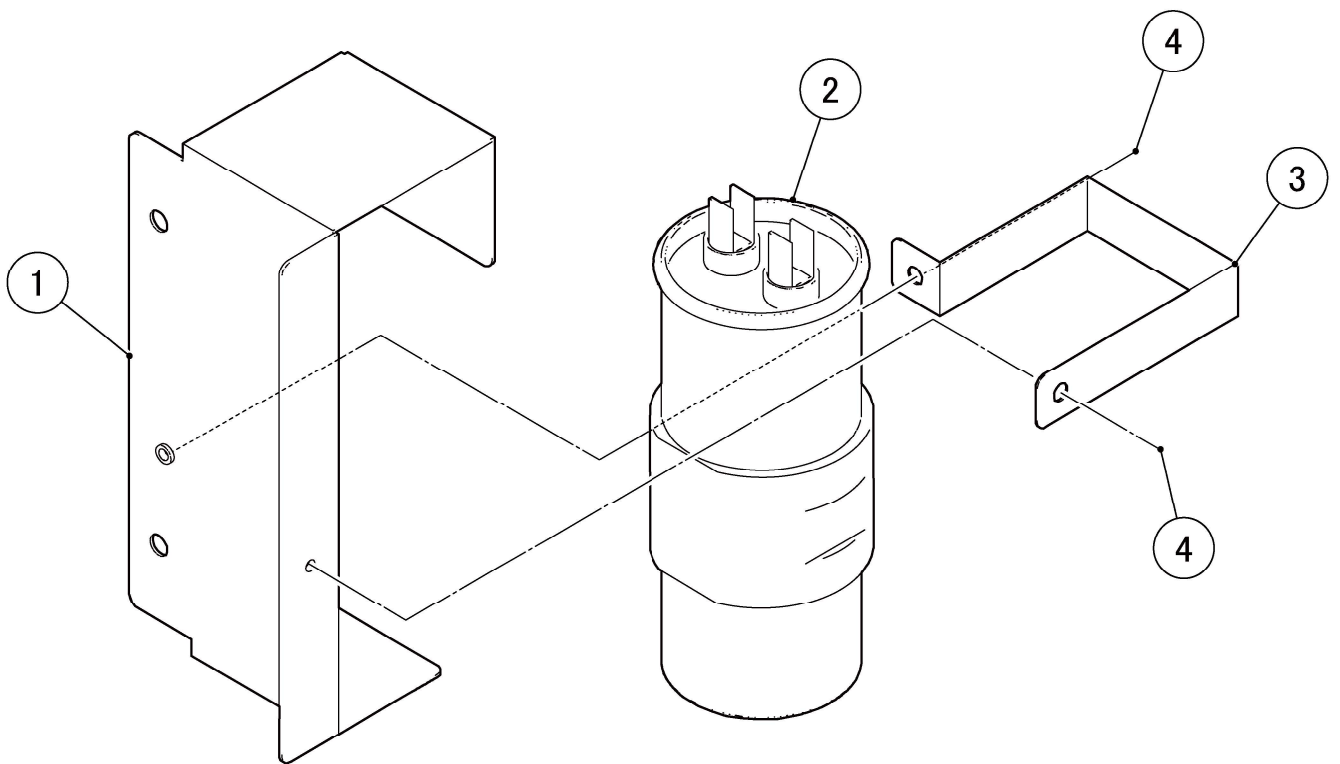


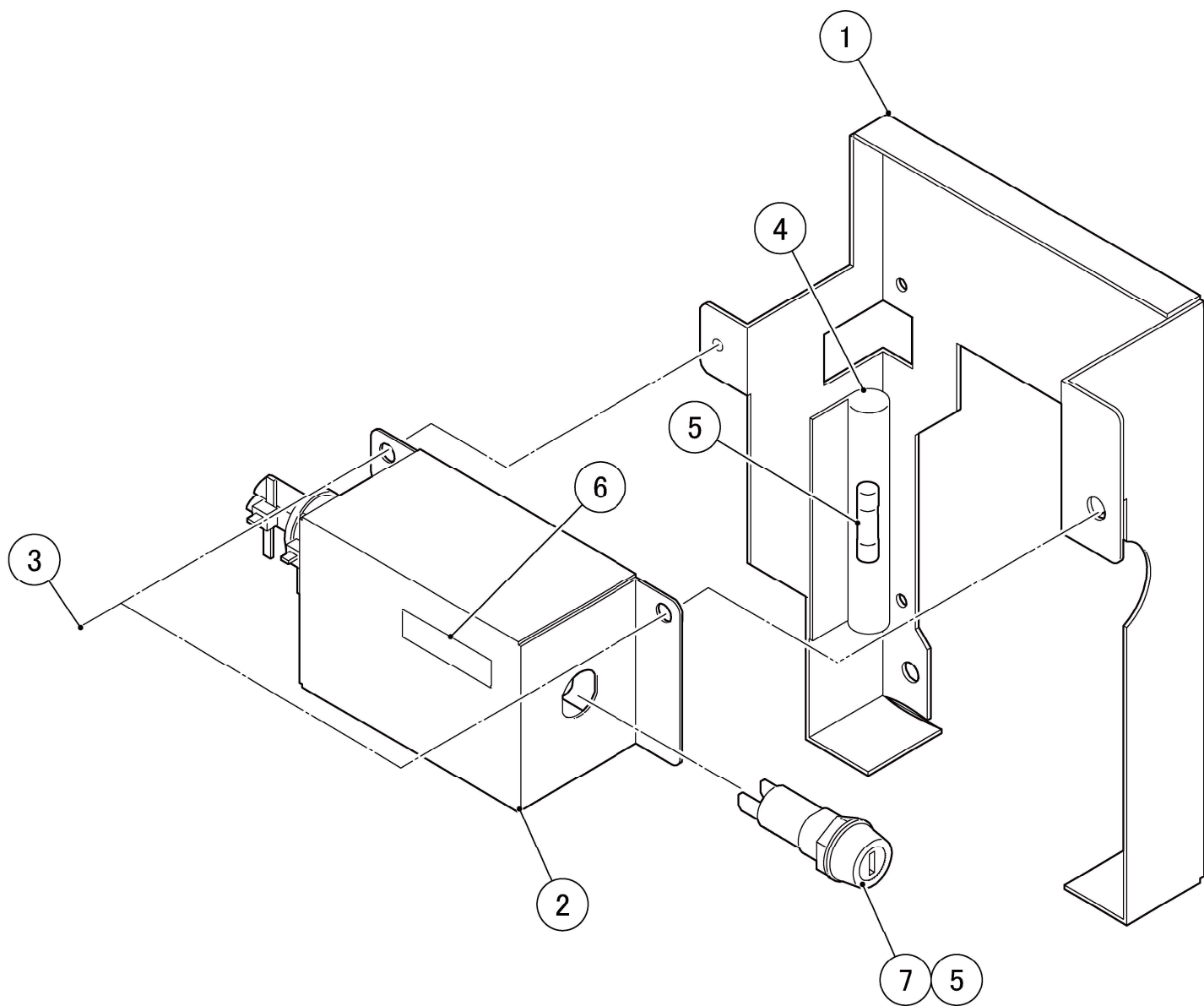






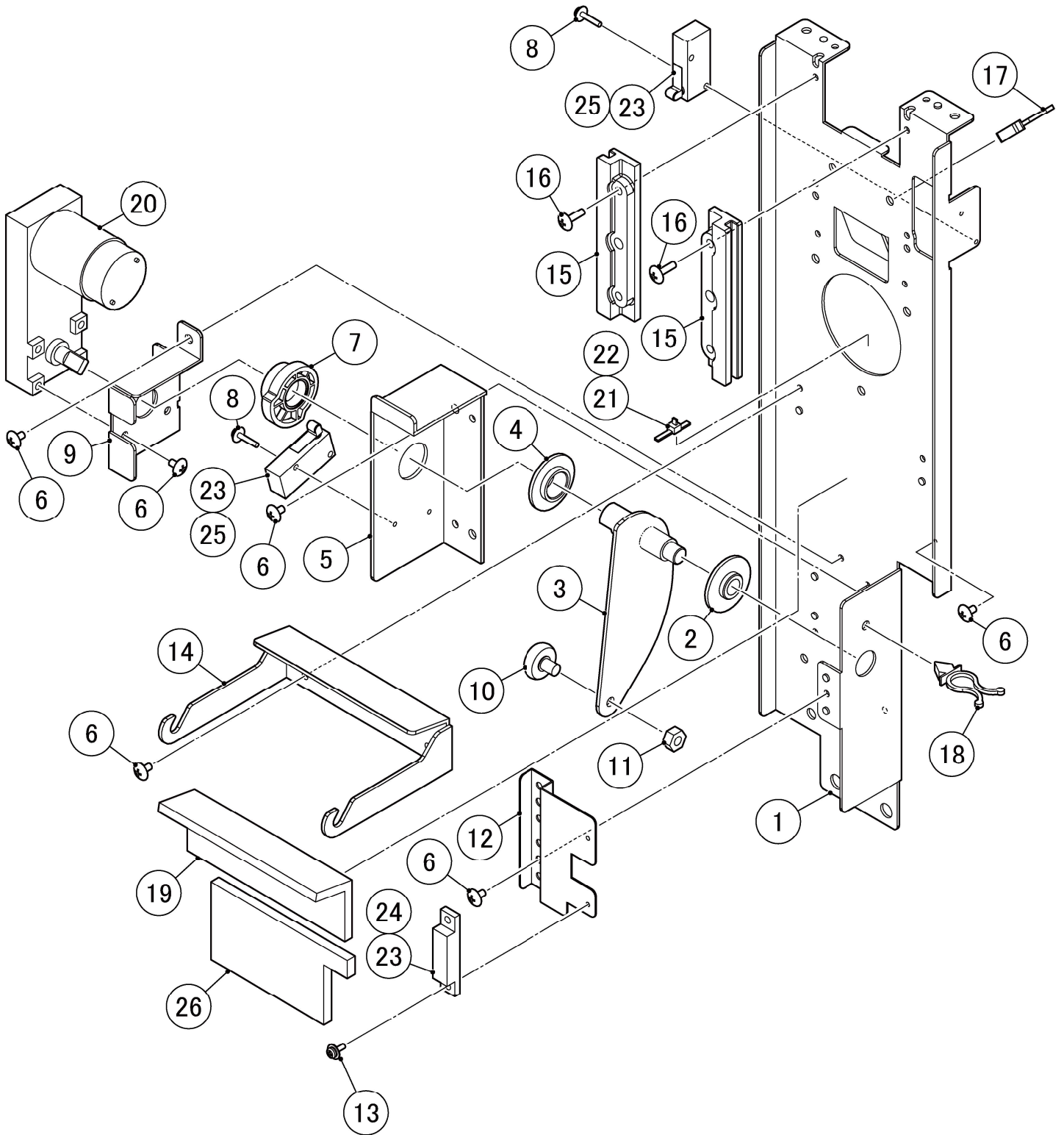






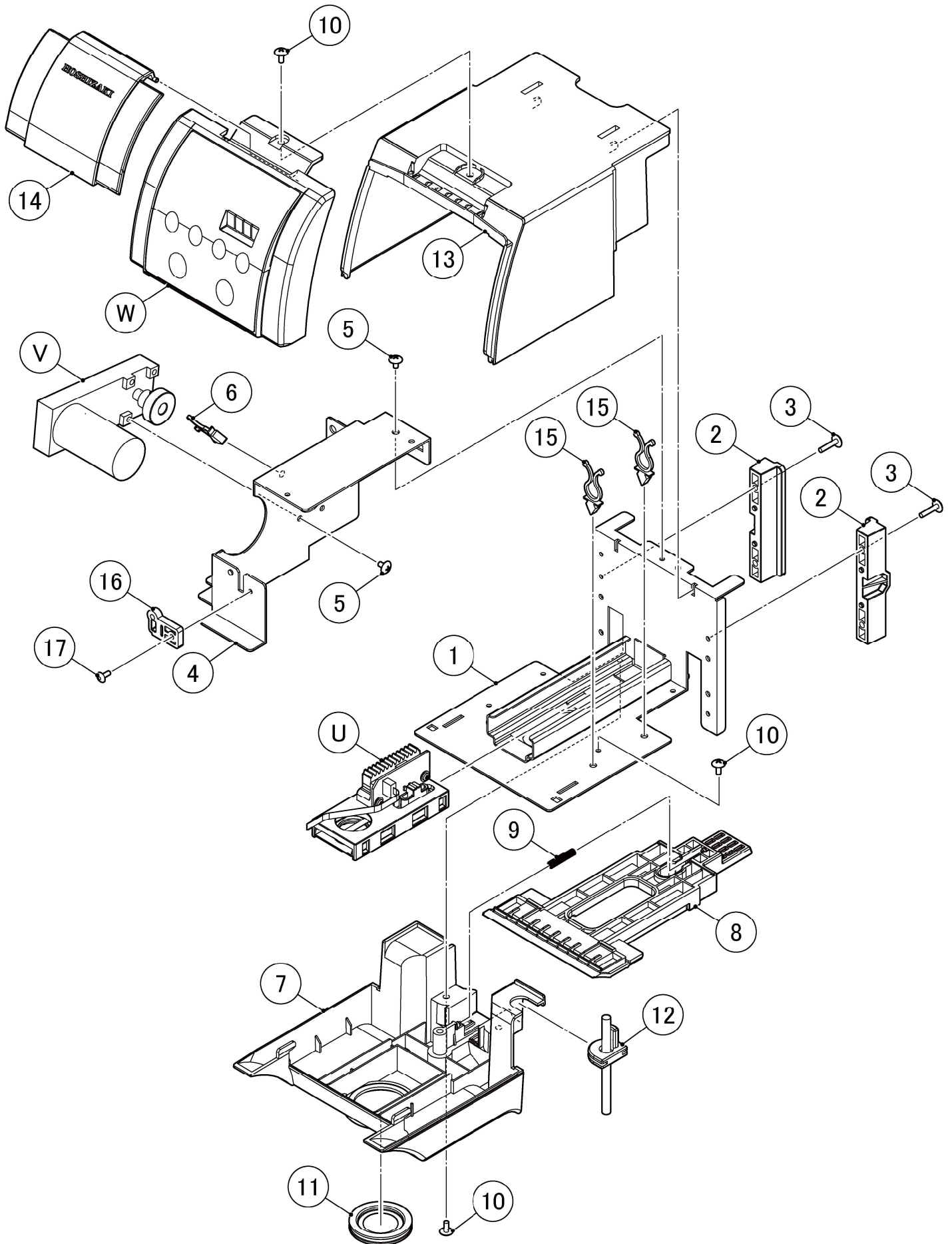
DBF-AS65WE-EU-HC R. ACTUATOR ASSY – MUG PLATE

(A-0)and later



DBF-AS65WE-EU-HC T. ACTUATOR ASSY – TAP

(A-0)and later



DBF-AS65WE-EU-HC U. PLATE ASSY - TAP

(A-0)and later

