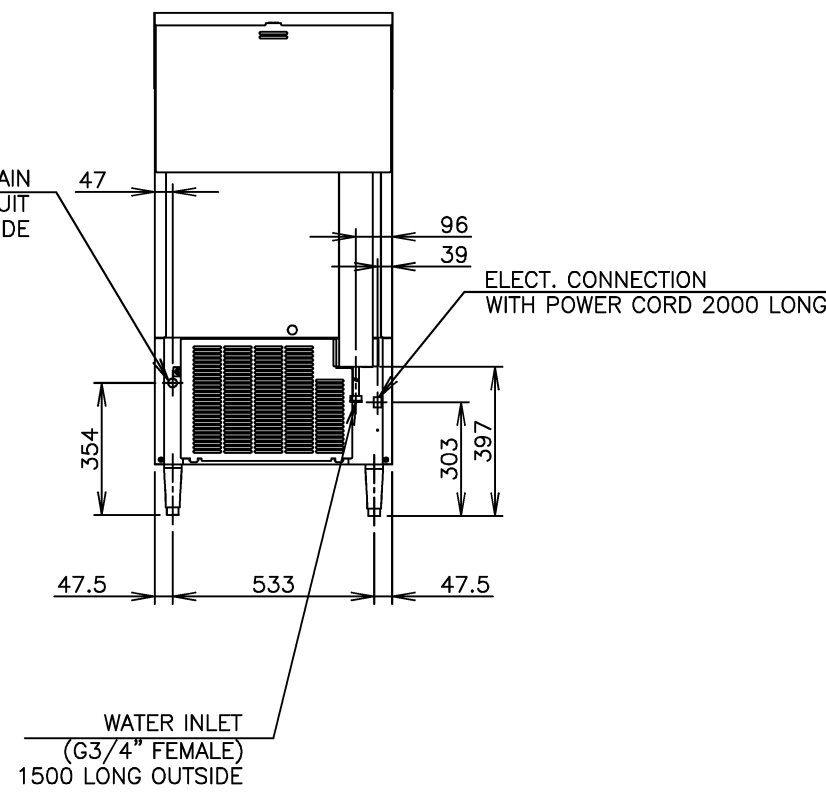
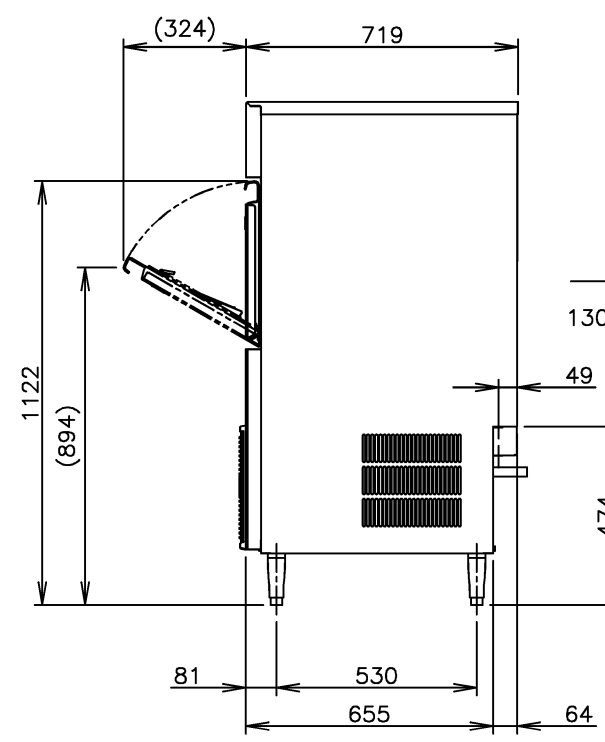
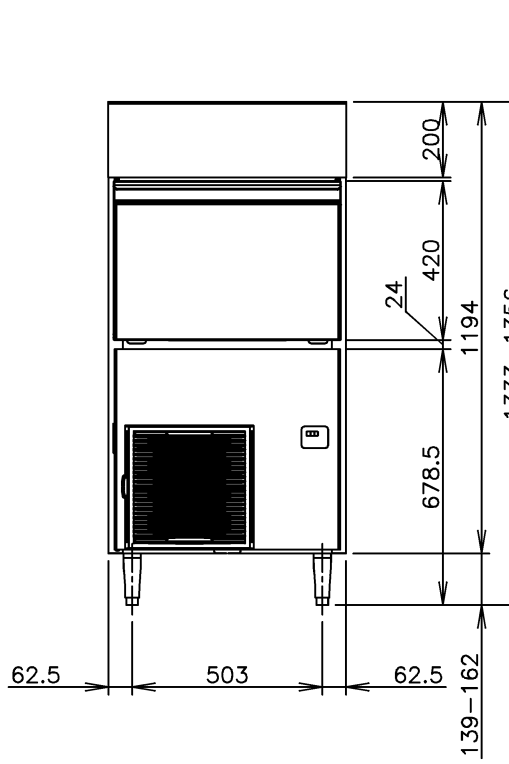
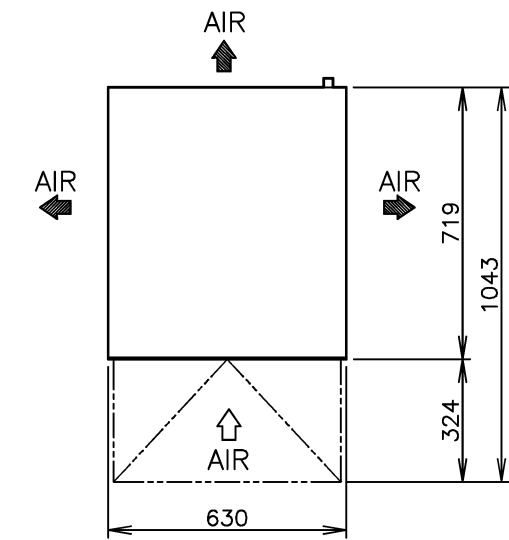


LOW WATER PROTECTION	Float Switch	ITEM	Hoshizaki Crescent Ice Maker (Self -Contained Type)
ICE MAKER PROTECTION	Interlock by Controller Board	MODEL	KM-140C-HC
WEIGHT	69kg (Gross 81kg)	POWER SUPPLY	1 PHASE 220 - 240V 50Hz Capacity: Min. 1.22kVA (5.4A)
PACKAGE	Carton 725mm(W) x 825mm(D) x 1357mm(H)	AMPERAGE	3.9A(AT. 32°C, WT. 21°C) Starting: 18.6A
ACCESSORIES	Instruction Manual, Scoop, Leg(4 pcs.)	ELECTRIC CONSUMPTION	Rated Motor: 564W (Power factor: 63%)
OPTION	UV-LED, Fully Automated Cleaning Kit	ICE PRODUCTION PER 24h	Approx. 138g/d (AT. 10°C, WT. 10°C) Approx. 130kg/d (AT. 21°C, WT. 15°C) Approx. 115kg/d (AT. 32°C, WT. 21°C)
OPERATION CONDITION	Ambient Temp.: 7-38°C, Water Supply Temp.: 7-32°C Water Supply Pressure: 0.07-0.8MPa(0.7-8bar) Voltage Range: ±6%	WATER CONSUMPTION PER 24h	Approx. 0.45m³/d (AT. 10°C, WT. 10°C) Approx. 0.26m³/d (AT. 21°C, WT. 15°C) Approx. 0.17m³/d (AT. 32°C, WT. 21°C)

\*We reserve the right to make changes in specifications and design without prior notice.

1. Install the product properly in accordance with the instructions on location, water supply/drain connections and electrical connections stated in the instruction and installation manuals provided.
2. The ice production depends on the ambient and water temperatures. Refer to the instruction manual.
3. Standard Model  
Product Code: F178-C141
4. Fully Automated Cleaning Model  
Model: KM-140C-HC-W  
Product Code: F178-C241  
WEIGHT: 71kg(Gross 83kg)



SHAPE OF ICE	Crescent Cube
FREEZE CYCLE TIME	Approx. 21Min (AT. 21°C, WT. 15°C)
ICE PRODUCTION PER CYCLE	Approx. 1.87kg / 208pcs (AT. 21°C, WT. 15°C)
MAX STORAGE CAPACITY	Approx. 55kg (Bin Cont Setting Approx. 47kg)
OUTSIDE DIMENSIONS	630mm(W) x 719mm(D) x 1333 - 1356mm(H)
EXTERIOR	Stainless Steel, Galvanized Steel(Rear), Plastic(Louwer)
INSULATION	Polyurethane Foam
INSULATION FOAM BLOWING AGENT	Cyclopentane
CONNECTIONS-ELECTRIC	X-type Connection(with Plug)
CONNECTIONS-WATER SUPPLY	Inlet G3/4"(connected at rear side)
CONNECTIONS-DRAIN	Outlet φ 24.5(connected at rear side)
ICE MAKING SYSTEM	Vertical Evaporator with water flow on both sides
HARVESTING SYSTEM	Water Supply Harvest Cycle and Hot Gas Defrost
COMPRESSOR	Hermetic
CONDENSER	Air-cooled, Micro Channel Type
HEAT REJECTION	1450W (AT.32°C, WT.21°C)
EVAPORATOR	Vertical type, Stainless Steel and Copper
REFRIGERANT CONTROL	Thermostatic Expansion Valve
REFRIGERANT CHARGE	R290/110g
ICE MAKING CONTROL SYSTEM	Float Switch
HARVESTING CONTROL SYSTEM	Hot Gas and Water, Thermistor and Timer
ICE MAKING WATER CONTROL SYSTEM	Timer Controlled, Overflow Pipe
BIN CONTROL SYSTEM	Mechanical Level Switch with Delay
ELECTRICAL PROTECTION	Class I Appliance, 5A Fuse
P.C. BOARD CIRCUIT PROTECTION	High Voltage Cut-out(Internal)
COMPRESSOR PROTECTION	Auto-reset Overload Protector(Internal)
REFRIGERANT CIRCUIT PROTECTION	Condensing Temperature detected by Thermister (Auto-reset)

# HOSHIZAKI CRESCENT ICE MAKER(SELF-CONTAINED TYPE) KM-140C-HC

APPROVED	CHECKED	DESIGNED	DRAWN	SCALE	TRIGONOMETRY
KONDO	ISHIGURO	FU	OHASHI	1/20	
KONDO	KOSHI	2022.10.20	DATE	2021.06.22	DRAWING NO. D31671
APPROVED	DESIGNED	DATE			SYMBOL
					3