



SELF-CONTAINED CUBER

**IM-45NE-HC
IM-45NE-HC-25
IM-45NE-HC-SN
IM-45NE-HC-25-SN**

PARTS LIST

[HE]

M064
M064-D001,D200,D201

E-1 SEP.2015
G-1 NOV.2017
J-1 JUL. 2019
J-2 SEP. 2019

List of Specifications

IM-45NE-HC	M064	Standard
IM-45NE-HC-25	M064-D001	25mm ICE of IM-64NE-HC
IM-45NE-HC-SN	M064-D200	Integrated in M064.
IM-45NE-HC-25-SN	M064-D201	Integrated in M064-D001.

Auxiliary Codes

Auxiliary Code Breakdown

The auxiliary code is the first two characters in the serial number. The first character indicates the year. Years progress or regress in alphabetical order. The series runs from "A" through "V" and the letters "I" and "O" are skipped. The second character indicates significant part changes within a year. Base is "0" and this number advances for each change. In cases where there is a letter in parentheses, this designates the month. This is the last character in the serial number. The series runs from "(A)" through "(M)" and the letter "(I)" is skipped. This designation is only included when identifying a parts change within an auxiliary code.

Note About Ordering Parts

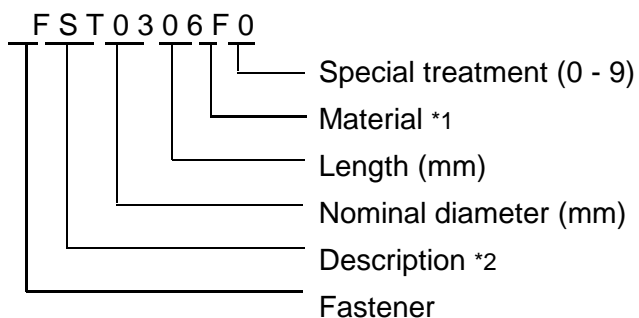
Most assemblies cannot be ordered as complete units; parts in the assemblies generally must be ordered separately.

MARKS LOCATED UNDER THE AUXILIARY CODE

- = Part deleted.

FASTENER PART NUMBER

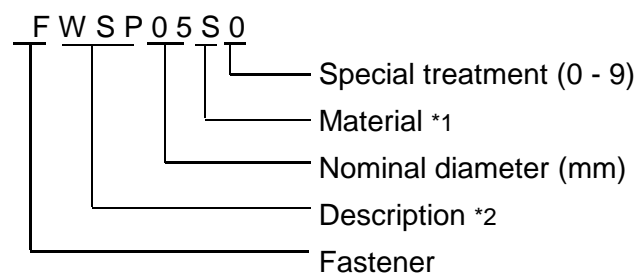
SCREWS



*1

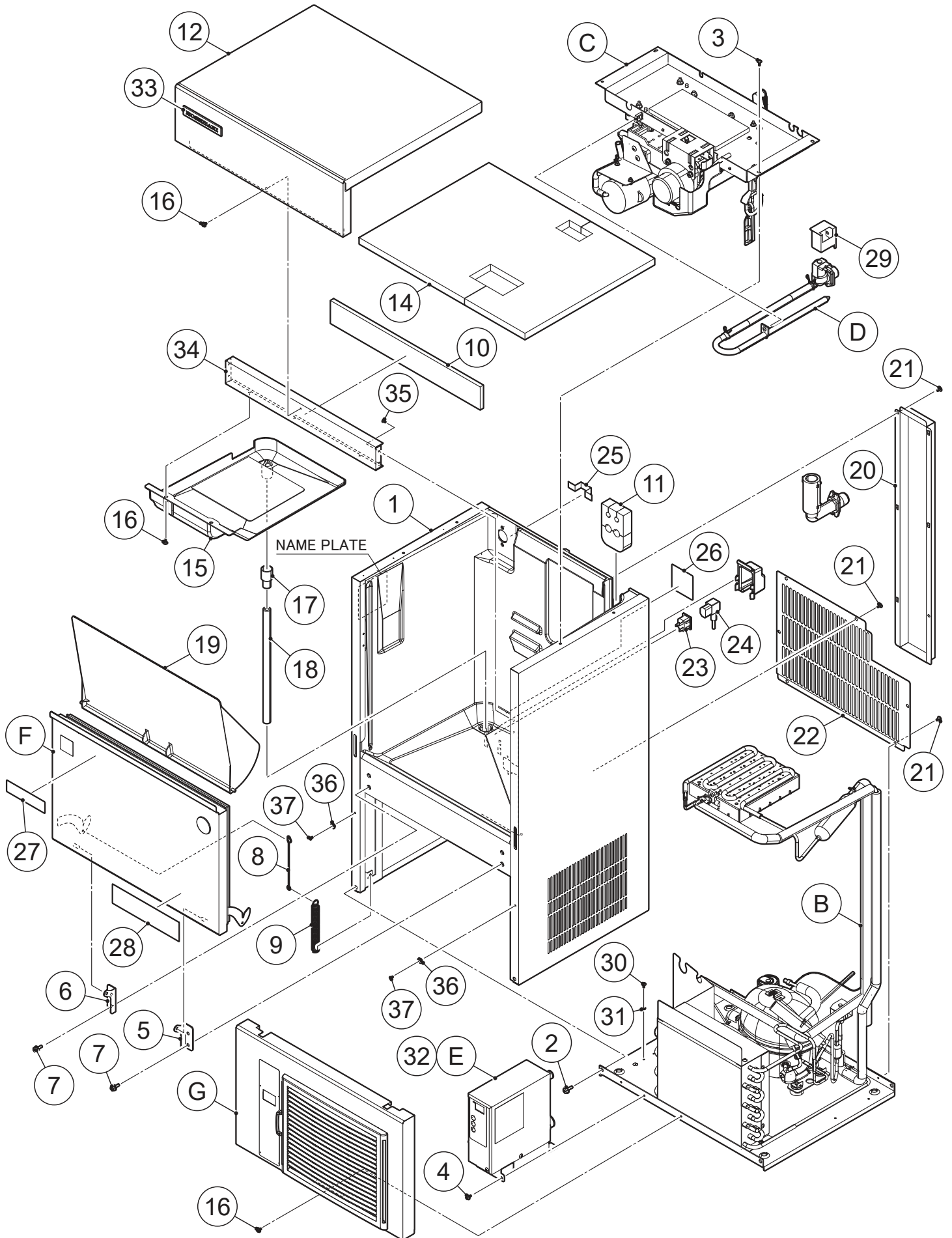
F: Steel
S: Austenitic stainless steel
M: Martensitic stainless steel
B: Copper alloy
P: Polycarbonate
N: Polyamide
V: PVC
A: ABS
X: Polyacetal
L: Aluminum

NUTS & WASHERS



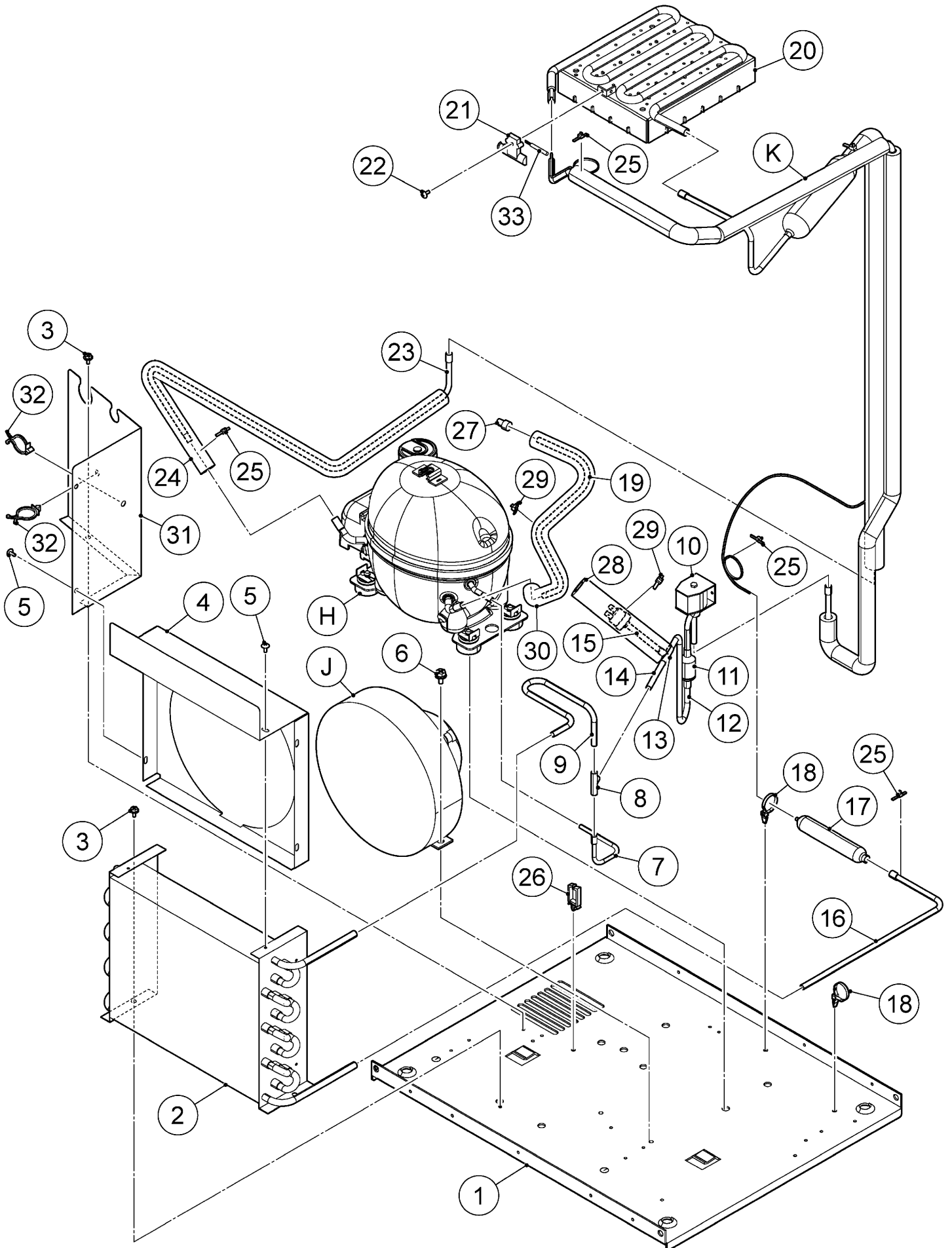
*2

First letter
S: Machine screw
T: Tapping screw
M: Wood screw
B: Bolt
W: Washer
N: Nut



HE

MODEL: IM-45NE-HC IM-45NE-HC-25		TITLE: A. ICE CUBER ASSY						
INDEX NO.	DESCRIPTION	MATERIAL OR MODEL NUMBER	PART NUMBER	REQ'D NUMBER				
				E-1 G-0	G-1 J-0	J-1	J-2	
B	REFRIGERATION ASSY	IM-45NE-HC	123741A01	1	-	-	-	
			1H5997A01	-	1	1	1	
		IM-45NE-HC-25	123741001	1	1	1	-	
			1H5997001	-	-	-	1	
C	ICE MAKING MECHANISM ASSY		1H4816A02	1	1	1	1	
D	WATER CIRCUIT ASSY		3Y5610A01	1	1	1	1	
E	CONTROL BOX ASSY	IM-45NE-HC	2X1218A02	1	-	-	-	
			2X3406A02	-	1	-	-	
			2X3406A04	-	-	1	1	
		IM-45NE-HC-25	2X1218A02	1	1	1	-	
			2X3406A02	-	-	-	1	
F	DOOR ASSY		3Y5614A01	1	1	1	1	
G	FRONT PANEL LOWER ASSY		3Y5615A03	1	1	1	1	
R	ACCESSORIES		A03122-01	1	1	1	1	
S	OPTIONAL PARTS - GAS SENSOR		OPT-M062	1	1	1	1	
1	UNIT FRAME		1H4814G01	1	1	1	1	
2	TAPPING SCREW - HEX		442040-01	4	4	4	4	
3	TRUSS HEAD TAPPING SCREW T2		FT20410S0	4	4	4	4	
4	Flange Bolt (C-TITE)		FTR0408M0	2	2	2	2	
5	HINGE (RIGHT)		4H2583-01	1	1	1	1	
6	HINGE (LEFT)		4H2584-01	1	1	1	1	
7	HEX HEAD BOLT (SPRING WASHER AND FLAT WASHER)		FBK0620S0	4	4	4	4	
8	HOOK		404060-10	1	1	1	1	
9	SPRING DOOR		416609-01	1	1	1	1	
10	INSULATION-FRONT FRAME		4H2317-02	1	1	1	1	
11	INSULATION-BIN		4Y7416P01	1	1	1	1	
12	FRONT PANEL(UPPER)		3Y5548G02	1	1	1	1	
14	INSULATION - TOP		3Y5959P02	1	1	1	1	
15	DRAIN PAN		2H1440-01	1	1	1	1	
16	S-TITE TRUSS HEAD SCREW		FTS0408M0	4	4	4	4	
17	DRAIN TUBE		4Z0986R01	1	1	1	1	
18	DRAIN PIPE		4Y7493P03	1	1	1	1	
19	SLOPE		2H1349-01	1	1	1	1	
20	COVER - PIPE		3Y5869M01	1	1	1	1	



HE

MODEL: IM-45NE-HC IM-45NE-HC-25		TITLE: B. REFRIGERATION ASSY						
INDEX NO.	DESCRIPTION	MATERIAL OR MODEL NUMBER	PART NUMBER	REQ'D NUMBER				
				E-1 G-0	G-1 J-0	J-1	J-2	
H	COMPRESSOR ASSY		381867A01	1	1	1	1	
J	FAN MOTOR ASSY		3E0059A01	1	1	1	1	
K	HEAT EXCHANGER ASSY		3Y5609A01	1	1	1	1	
1	BASE		2X0433M01	1	1	1	1	
2	CONDENSER	3x8,W250mm,FPI=9	P03372-01	1	1	1	1	
3	Flange Bolt (C-TITE)		FTR0408M0	3	3	3	3	
4	SHROUD		3Y7450M01	1	1	1	1	
5	T2 TRUSS HEAD SCREW		FT20408F0	6	6	6	6	
6	HEX HEAD BOLT (SPRING WASHER AND FLAT WASHER)		FBK0612F0	2	2	2	2	
7	PIPE (A) - HIGH SIDE		481259M01	1	1	1	1	
8	TEE - 6.4		417394-01	1	1	1	1	
9	PIPE (B) - HIGH SIDE		481254M01	1	1	1	1	
10	HOT GAS VALVE	HOT GAS VALVE (G) 381850G01	P02539-01	1	1	1	1	
11	STRAINER	HOT GAS VALVE (G) 381850G01	P00008-01	1	1	1	1	
12	PIPE (A) - HOT	HOT GAS VALVE (G) 381850G01	481255M01	1	1	1	1	
13	TEE - 6.4	HOT GAS VALVE (G) 381850G01	417394-01	1	1	1	1	
14	PIPE (B) - HOT	HOT GAS VALVE (G) 381850G01	481438M01	1	1	1	1	
15	PRESSURE SWITCH	HOT GAS VALVE (G) 381850G01	459863-08	1	1	1	1	
16	PIPE(C) - HIGH SIDE		4Y7163M01	1	1	1	1	
17	DRIER		P03584-01	1	1	1	1	
18	TIE		P05042-01	2	2	2	2	
19	PROCESS PIPE		481256M01	1	1	1	1	
20	EVAPORATOR	IM-45NE-HC	3H5611G02	1	-	-	-	
			2E0053G01	-	1	1	1	
		IM-45NE-HC-25	3H3941G01	1	1	1	-	
			2E0056G01	-	-	-	1	
21	HOLDER - THERMISTOR		315479-01	1	1	1	1	
22	S-TITE TRUSS HEAD SCREW		FTS0408M0	1	1	1	1	
23	PIPE (A) - LOW SIDE	PIPE (A) - LOW SIDE 381851G01	381851M01	1	1	1	1	

