



---

CUBE ICE DISPENSER

**DIM-30DE-1**  
**DIM-30DE-2**

# PARTS LIST

[HE] [HL] [SINGAPORE]

E2HA,  
E2HA-D001,-D002,-D010,-D011,

C-1 DEC. 2013  
H-1 JAN. 2018  
J-1 JUL. 2019  
K-1 SEP. 2020

E2HA-3906 (0620)

## List of Specifications

DIM-30DE-1	E2HA	Standard
DIM-30DE-1	E2HA-D001	UK-PLUG
DIM-30DE-1	E2HA-D002	For HOSHIZAKI LANCER
DIM-30DE-2	E2HA-D010	240V power source specification
DIM-30DE-2(HS)	E2HA-D011	for Singapore, special water valve

## AUXILIARY CODE

U - 1

The auxiliary code is the first two characters in the serial number. The first character indicates the production year. Years progress or regress in alphabetical order. The series of letters and skipped letters depend on UL listing, production, and model. See the auxiliary code(s) and corresponding year(s) on the front cover.

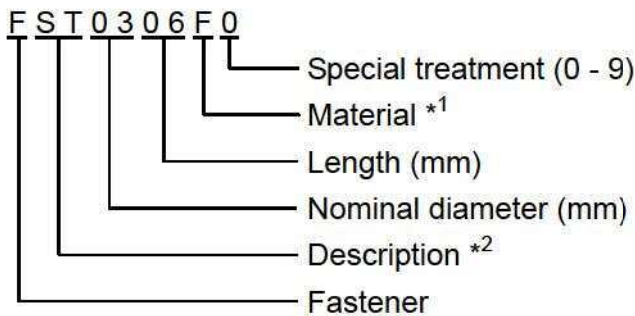
The second character indicates significant part changes within the same year. Base is "1" and this number advances for each change. If there is no significant part change at the turn of the year, this number starts from "0."

## MARKS LOCATED UNDER THE AUXILIARY CODE

- = Part deleted.
- x = Part deleted and replaced by "o" part.
- o = New part in place of "x" part.

## FASTENER PART NUMBER

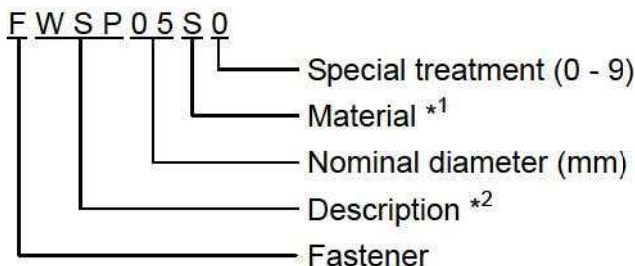
### SCREWS



\*1 **Material**

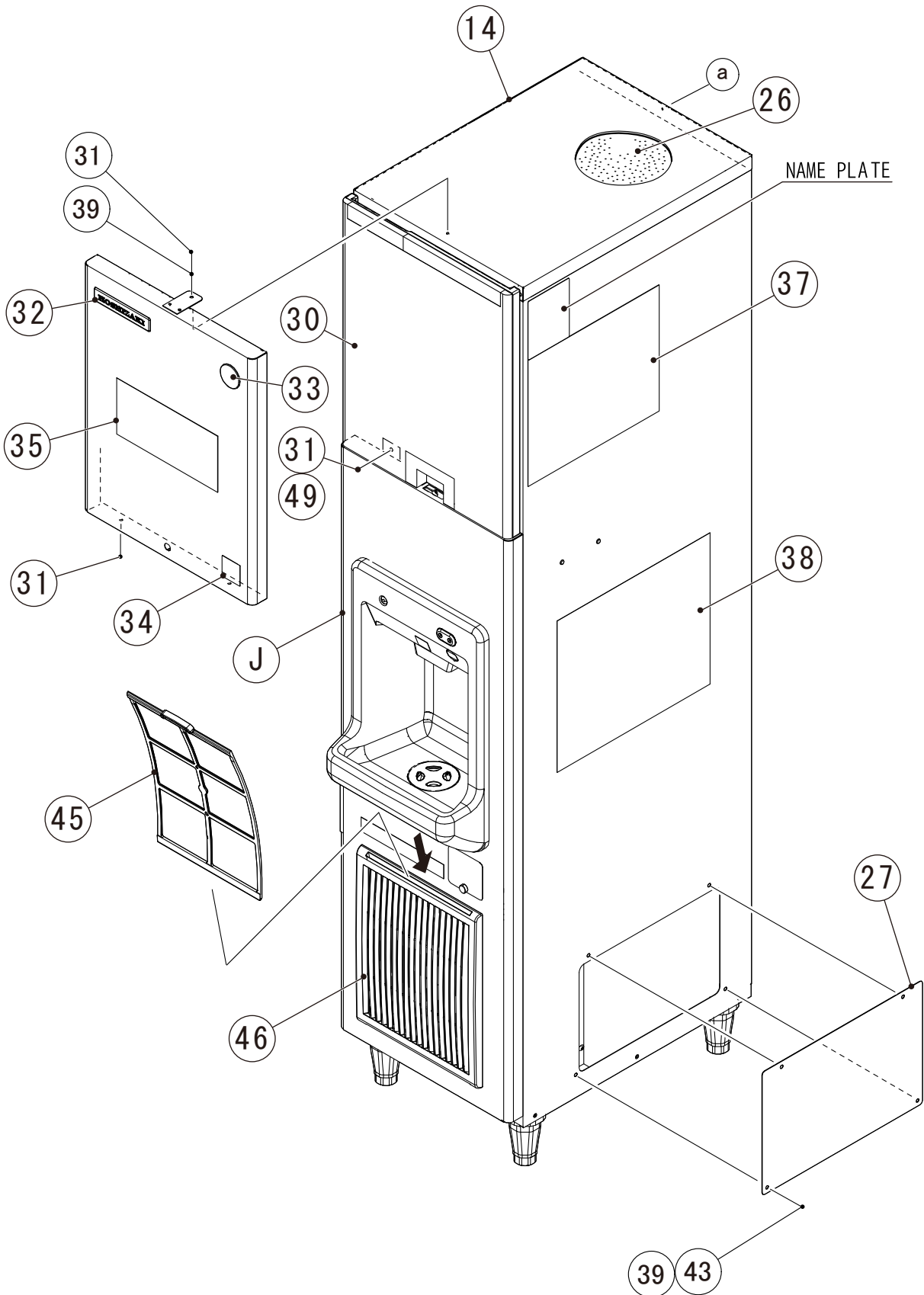
- F: Steel
- S: Austenitic stainless steel
- M: Martensitic stainless steel
- B: Copper alloy
- P: Polycarbonate
- N: Polyamide
- V: PVC
- A: ABS
- X: Polyacetal
- L: Aluminum

### NUTS & WASHERS



\*2 **Description**

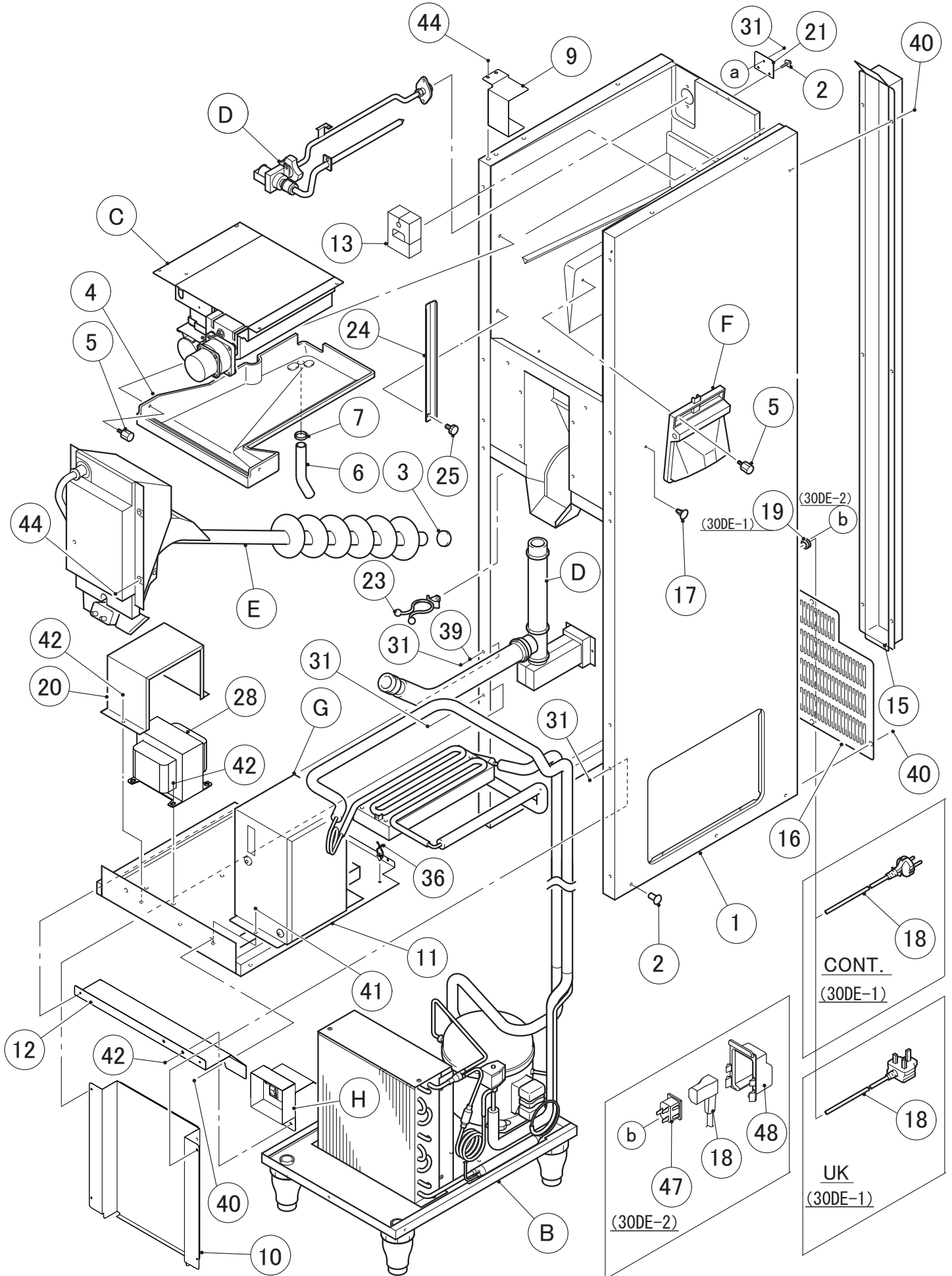
- First letter
- S: Machine screw
- T: Tapping screw
- M: Wood screw
- B: Bolt
- W: Washer
- N: Nut

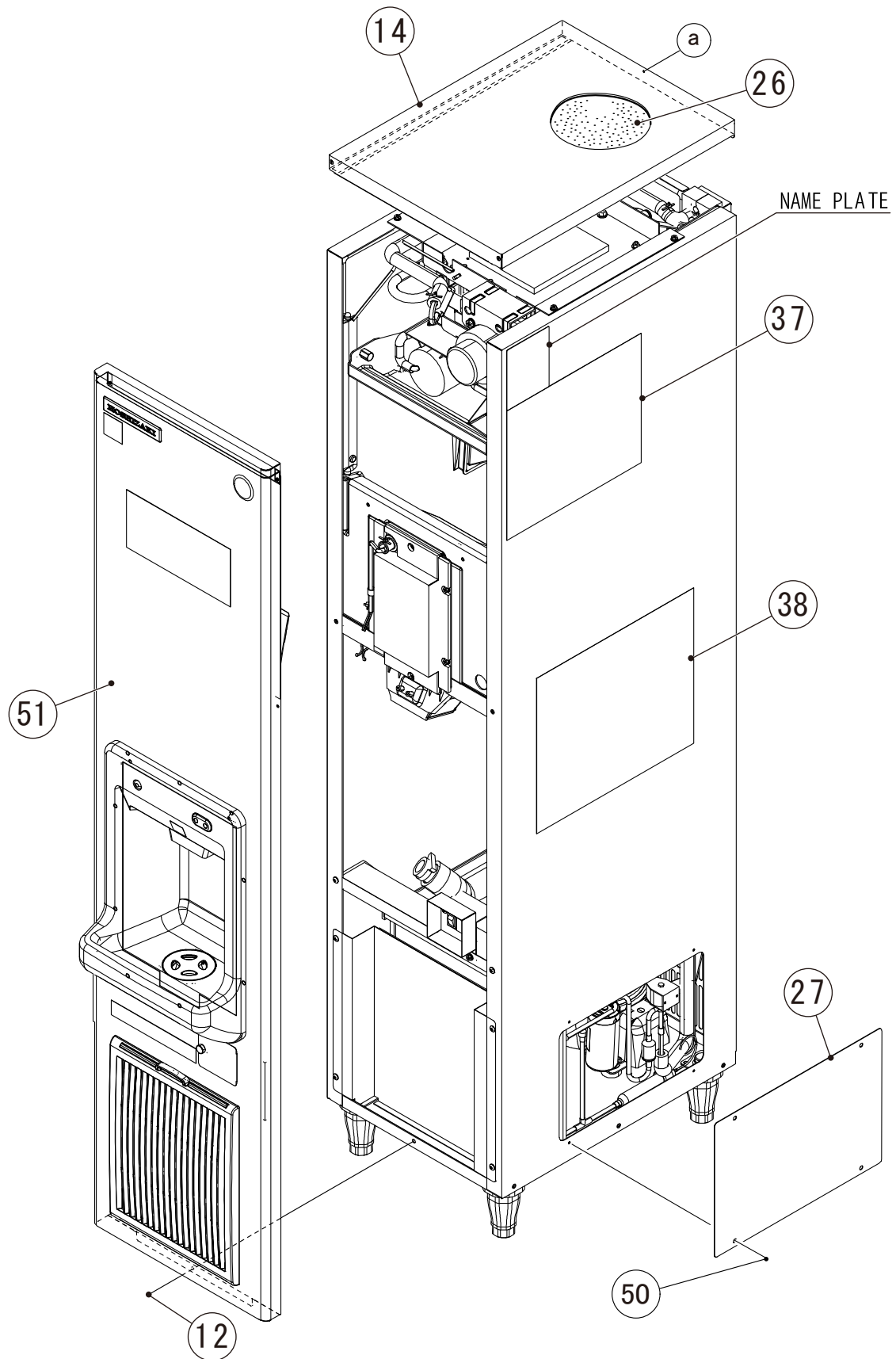


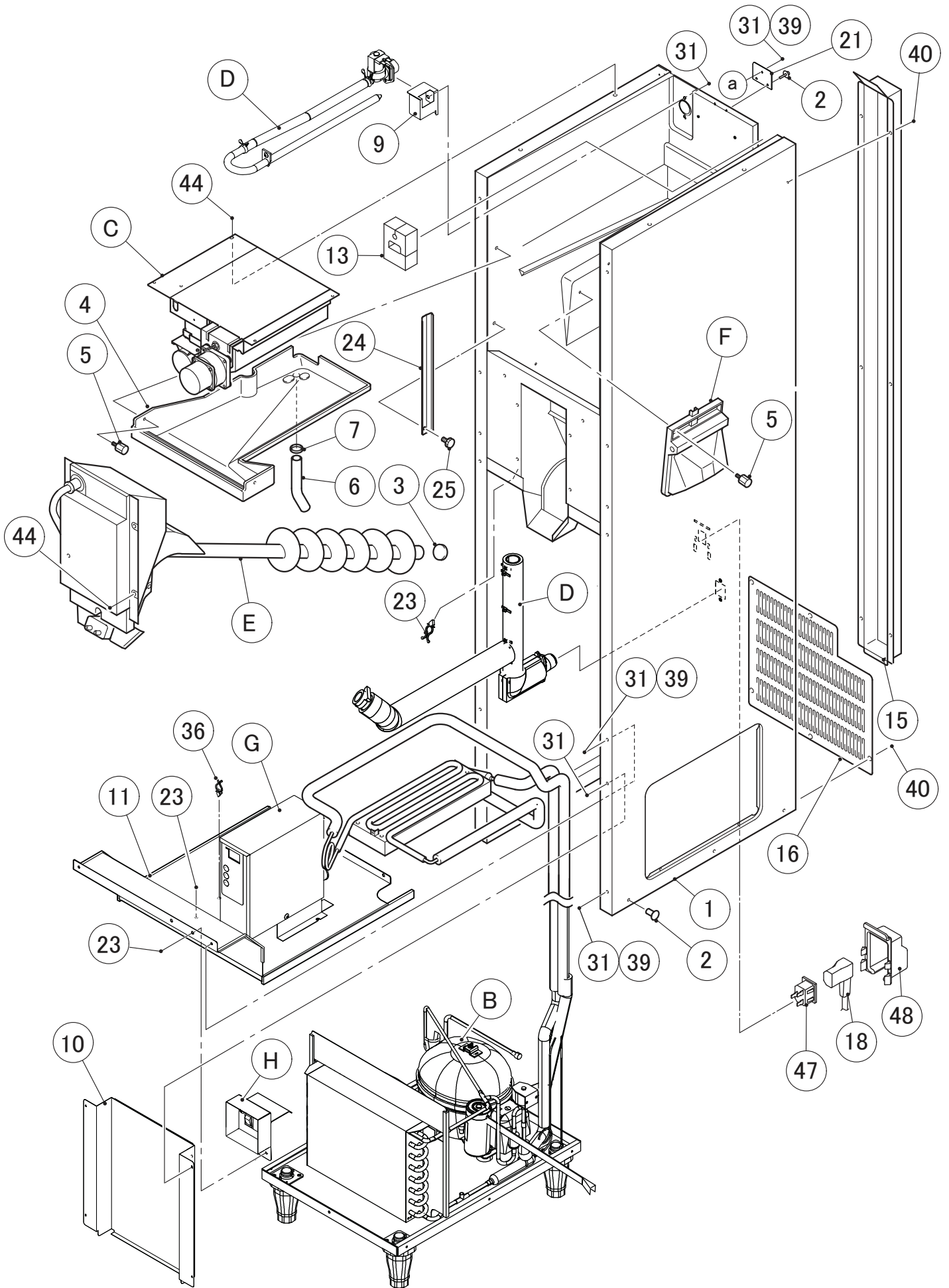
DIM-30DE-1  
DIM-30DE-2

A. ICE DISPENSER ASSY (2/2)

(C-1) to (K-0)







**HE,HL**

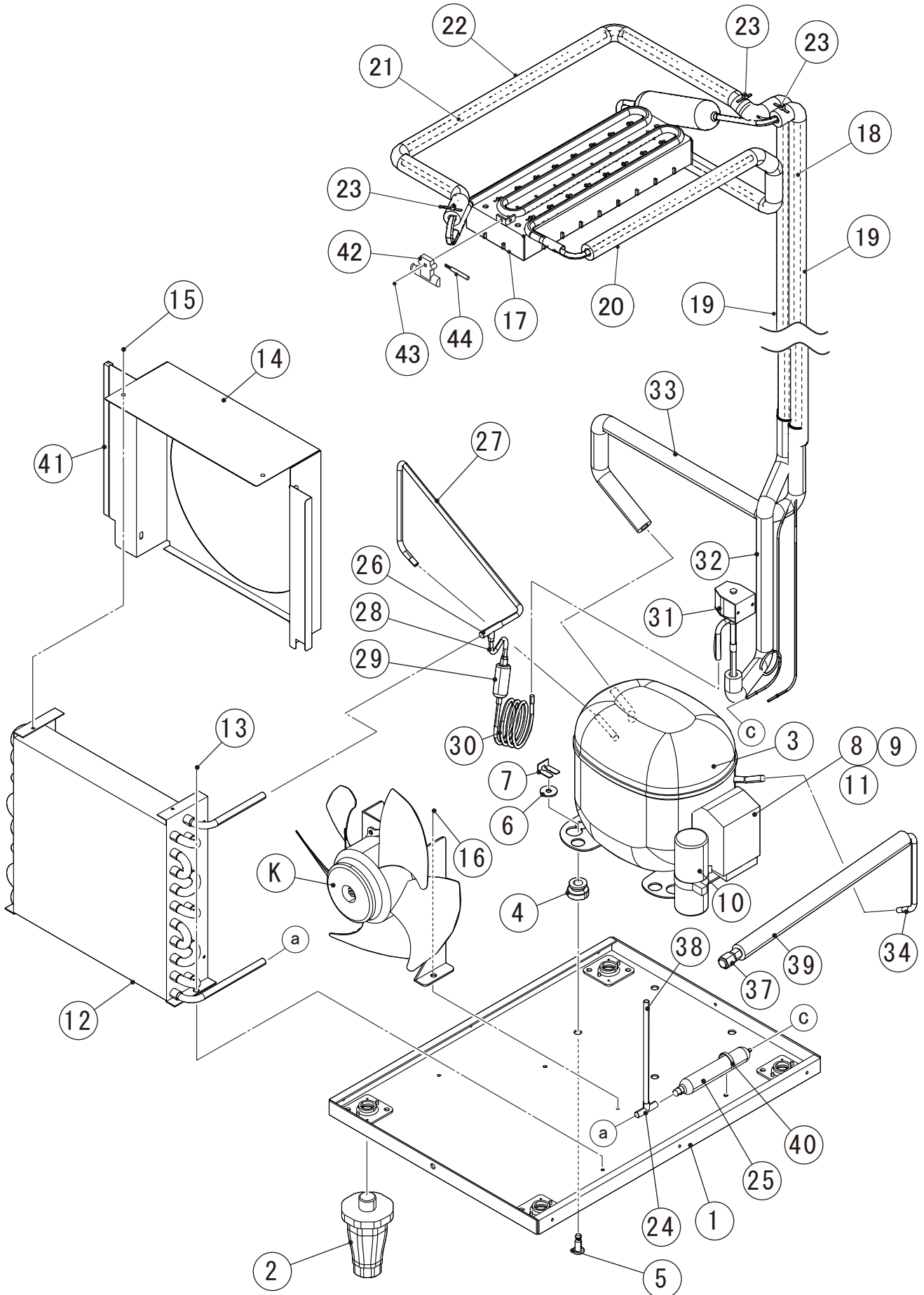
MODEL : DIM-30DE-1		TITLE : A. ICE DISPENSER ASSY						
MODEL : DIM-30DE-2								
INDEX NO.	DESCRIPTION	MATERIAL OR MODEL NUMBER	PART NUMBER	REQ'D NUMBER				
				C-1 H-0	H-1 J-0	J-1 K-0	K-1	
B	REFRIGERATION ASSY	(30DE-1)	1H5414A01	1	-	-	-	
		(30DE-2)	124669A01	1	-	-	-	
			1H6005A01	-	1	1	1	
C	ICE MAKING ASSY	(30DE-1)	2X1810A01	1	-	-	-	
		(30DE-2)	270439A01	1	1	1	1	
D	WATER CIRCUIT ASSY	(30DE-1)	2X1811A01	1	-	-	-	
		(30DE-2)	2X1811A02	1	1	1	-	
			279279A01	-	-	-	1	
		(30DE-2)(HS)	2X1811001	1	1	1	-	
			279279001	-	-	-	1	
E	MECHANISM ASSY	(30DE-1)	2X1814A01	1	-	-	-	
		(30DE-2)	270437A01	1	1	1	1	
F	BIN SWITCH ASSY	-	336637A01	1	1	1	1	
G	CONTROL BOX ASSY	(30DE-1)	2X1812A01	1	-	-	-	
		(30DE-2)	270798A01	1	-	-	-	
			2X3407A01	-	1	-	-	
			2X3407A02	-	-	1	1	
H	SWITCH BOX ASSY	-	4Y8417A01	1	1	1	1	
J	FRONT PANEL LOWER ASSY	(30DE-1)	2X1813A01	1	-	-	-	
		(30DE-2)	2X1813A02	1	1	1	-	
N	ACCESORIES	-		1	1	1	1	
P	OPTIONAL PARTS	-	OPT-E2HA	1	1	1	1	
1	BODY	(30DE-1)	1H5398G01	1	-	-	-	
		(30DE-2)	124895G01	1	1	1	-	
			129088G01	-	-	-	1	
2	RIVET	-	7170-0002	8	8	8	8	
3	SPACER (TEFLON)	-	418704-01	1	1	1	1	
4	DRAIN PAN	-	2H5088G01	1	1	1	1	
5	THUMBSCREW	-	4H3270G02	4	4	4	4	
6	Si Hose	-	H11418165	1	1	1	1	
7	NYLON TIE	CV-70	7920-0001	1	1	1	1	



**HE,HL**

MODEL : DIM-30DE-1		TITLE : A. ICE DISPENSER ASSY						
MODEL : DIM-30DE-2								
INDEX NO.	DESCRIPTION	MATERIAL OR MODEL NUMBER	PART NUMBER	REQ'D NUMBER				
				C-1 H-0	H-1 J-0	J-1 K-0	K-1	
9	COVER-WATER VALVE	-	4Y8347M01	1	1	1	-	
			3Y6277M01	-	-	-	1	
		HS ONLY	-	-	-	-	-	
10	AIR GUIDE(G)	-	3Y7801G01	1	1	1	1	
11	COVER(A)-UNIT	(30DE-1)	3Y7799G01	1	-	-	-	
		(30DE-2)	384102G01	1	1	1	-	
	COVER - UNIT			390701G01	-	-	-	1
12	COVER(B)-UNIT	-	4Y8414G01	1	1	1	-	
13	INSULATION-BIN	-	4Y8418P01	1	1	1	1	
14	TOP PANEL(G)	-	3Y7729G01	1	1	1	-	
		-	3Z1592G01	-	-	-	1	
15	COVER-PIPE	-	2X1767M01	1	1	1	1	
16	REAR PANEL	-	3Y7732M01	1	1	1	1	
17	PIN - CABINET	-	423602-19	4	4	4	-	
18	POWER CORD (30DE-1)	(CONT)	P02697-01	1	1	1	1	
		(UK)	P02698-01	1	1	1	1	
		(For HL)	P02760-01	1	1	1	1	
	POWER SUPPLY CORD (30DE-2)	EU-PLUG(10A)	P03359-01	1	1	1	1	
		UK-PLUG(10A)	P03360-01	1	1	1	1	
		AS-PLUG(10A)	P03361-01	1	1	1	1	
19	BUSHING	(30DE-1)	448949-01	1	-	-	-	
20	COVER - TRANSFORMER	-	3Y8148M01	1	-	-	-	
21	BRACKET-TOP PANEL	-	4Y8345M01	1	1	1	1	
22	RIVET	-	7170-0001	-	-	-	-	
23	WIRE RETAINER	(30DE-1)	427902-03	6	-	-	-	
		(30DE-2)	427902-03	7	7	7	7	
24	COVER - THERMISTOR	-	4X9614-01	1	1	1	1	
25	THUMBSCREW	-	449999-01	1	1	1	1	
26	INSULATION	PUR	426609-01	1	1	1	1	
27	COVER-LOUVER	-	4Y8346M01	1	1	1	-	
		-	486247M01	-	-	-	1	
28	TRANSFORMER	-	P03442-01	1	-	-	-	
30	BACK PANEL(G)-UPPER	-	2X1766G01	1	1	1	-	

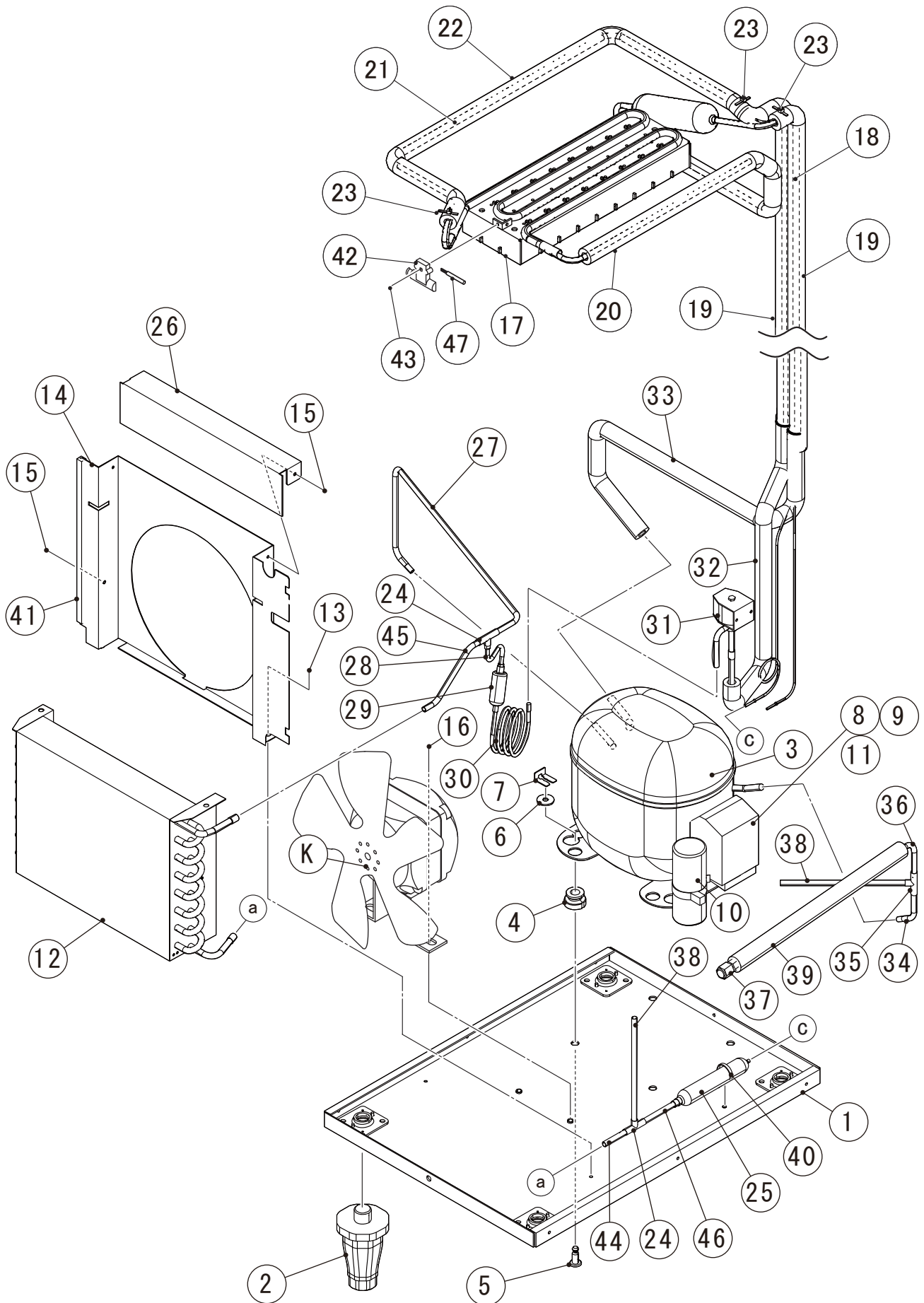




HE,HL

MODEL : DIM-30DE-1		TITLE : B. REFRIGERATION ASSY							
INDEX NO.	DESCRIPTION	MATERIAL OR MODEL NUMBER	PART NUMBER	REQ'D NUMBER					
				C-1					
K	FAN MOTOR ASSY	-	3Y7720A01	1					
		-							
1	BASE	-	3Y7715G01	1					
2	LEG	-	446729-01	4					
3	COMPRESSOR	-	450891-01	1					
4	GROMMET	-	450897-01	4					
5	STEEL PIN	-	452255-01	4					
6	WASHER CUSHION	-	450894-01	4					
7	CLIP	-	452256-01	4					
8	COVER	-	450896-01	1					
9	CORD RELIEF	-	4A3264-01	1					
10	STARTING CAPACITOR	-	450898-01	1					
11	STARTING RELAY	-	450893-01	1					
12	CONDENSER	-	P02439-01	1					
13	FLANGE BOLT (C-TITE)	-	FTR0408M0	2					
14	SHROUD	-	2X1752M01	1					
15	T2 TRUSS HEAD SCREW	-	FT20408F0	6					
16	HEX HEAD BOLT (SPRING WASHER AND FLAT WASHER)	-	FBK0508S0	1					
17	EVAPORATOR	-	3X5333G01	1					
18	HEAT EXCHANGER	-	2X1755G01	1					
19	INSULATION TUBE	-	H71020H12	2					
20	INSULATION TUBE	-	H81020550	1					
21	COPPER TUBE(C)-HOT GAS	-	2X1753M01	1					
22	INSULATION TUBE- FSA	-	H81020720	1					
23	TIE	-	7920-0002	3					
24	TEE	-	4Y4060Z01	1					
25	DRIER	-	P03584-01	1					
26	TEE	-	420041-03	1					
27	COPPER TUBE(A)-HIGH SIDE	-	4Y8338M01	1					
28	COPPER TUBE(A-2)-HOT GAS	-	4Y8336M01	1					
29	STRAINER	-	430365-06	1					
30	COPPER TUBE (A) - HOT GAS	-	4H8281-01	1					



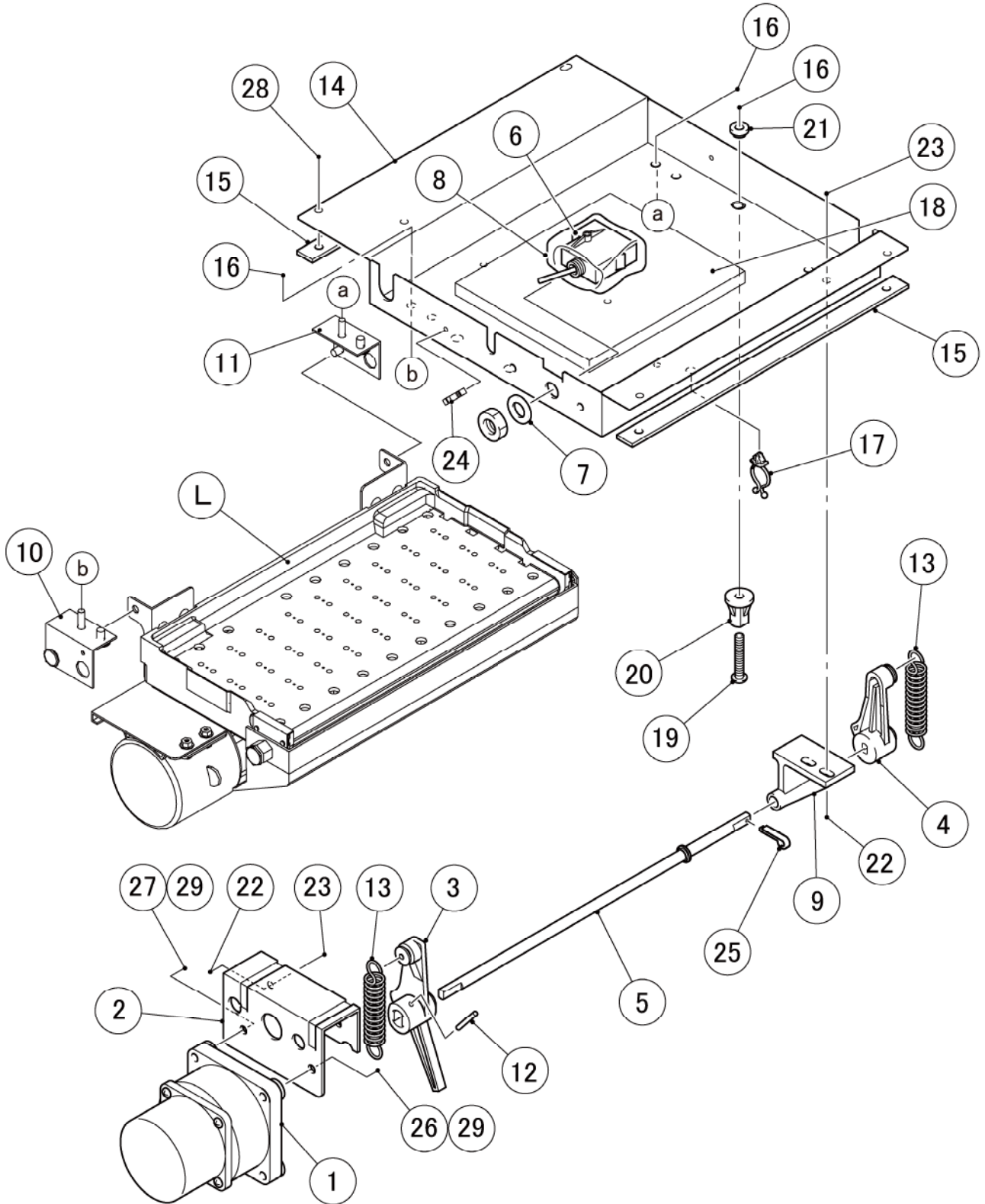


HE,HL

MODEL : DIM-30DE-2		TITLE : B. REFRIGERATION ASSY						
INDEX NO.	DESCRIPTION	MATERIAL OR MODEL NUMBER	PART NUMBER	REQ'D NUMBER				
				C-1 H-0	H-1 J-0	J-1 K-0	K-1	
K	FAN MOTOR ASSY	-	3Y5605A01	1	1	1	1	
		-						
1	BASE	-	384339G01	1	1	1	-	
			390699G01	-	-	-	1	
2	LEG	-	446729-01	4	4	4	4	
3	COMPRESSOR	-	450891-01	1	1	1	1	
4	GROMMET	-	450897-01	4	4	4	4	
5	STEEL PIN	-	452255-01	4	4	4	4	
6	WASHER CUSHION	-	P02793-01	4	4	4	4	
7	CLIP	-	452256-01	4	4	4	4	
8	COVER	-	450896-01	1	1	1	1	
9	CORD RELIEF	-	4A3264-01	1	1	1	1	
10	STARTING CAPACITOR	-	450898-01	1	1	1	1	
11	STARTING RELAY	-	450893-01	1	1	1	1	
12	CONDENSER	-	P03554-01	1	1	1	1	
13	FLANGE BOLT (C-TITE)	-	FTR0408M0	2	2	2	2	
14	SHROUD	-	384340M01	1	1	1	-	
			390700M01	-	-	-	1	
15	T2 TRUSS HEAD SCREW	-	FT20408F0	4	4	4	2	
16	HEX HEAD BOLT (SPRING WASHER AND FLAT WASHER)	-	FBK0610F0	2	2	2	2	
17	EVAPORATOR	-	3X5333G01	1	-	-	-	
			2X2469G01	-	1	1	1	
18	HEAT EXCHANGER	-	2X1755G01	1	1	1	1	
19	INSULATION TUBE	-	H71020H12	2	2	2	2	
20	INSULATION TUBE	-	H81020550	1	1	1	1	
21	COPPER TUBE(C)-HOT GAS	-	2X1753M01	1	1	1	-	
			279274M01	-	-	-	1	
22	Insulation Tube - FSA	-	H81020720	1	1	1	-	
	INSULATION TUBE	-	H81020680	-	-	-	1	
23	TIE	-	7920-0002	3	3	3	3	
24	TEE	-	417394-01	2	2	2	2	
25	DRIER	-	P03584-01	1	1	1	1	



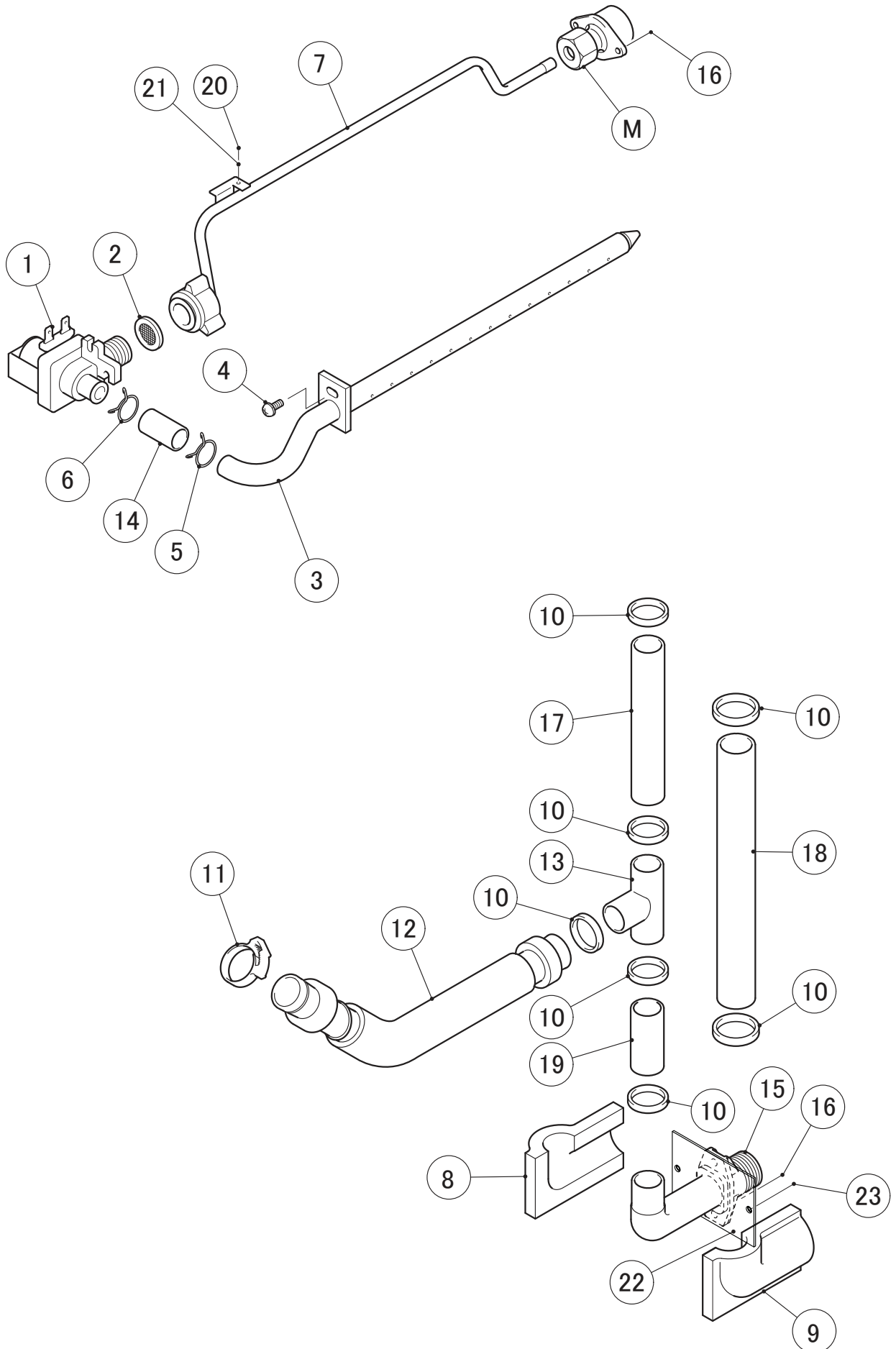


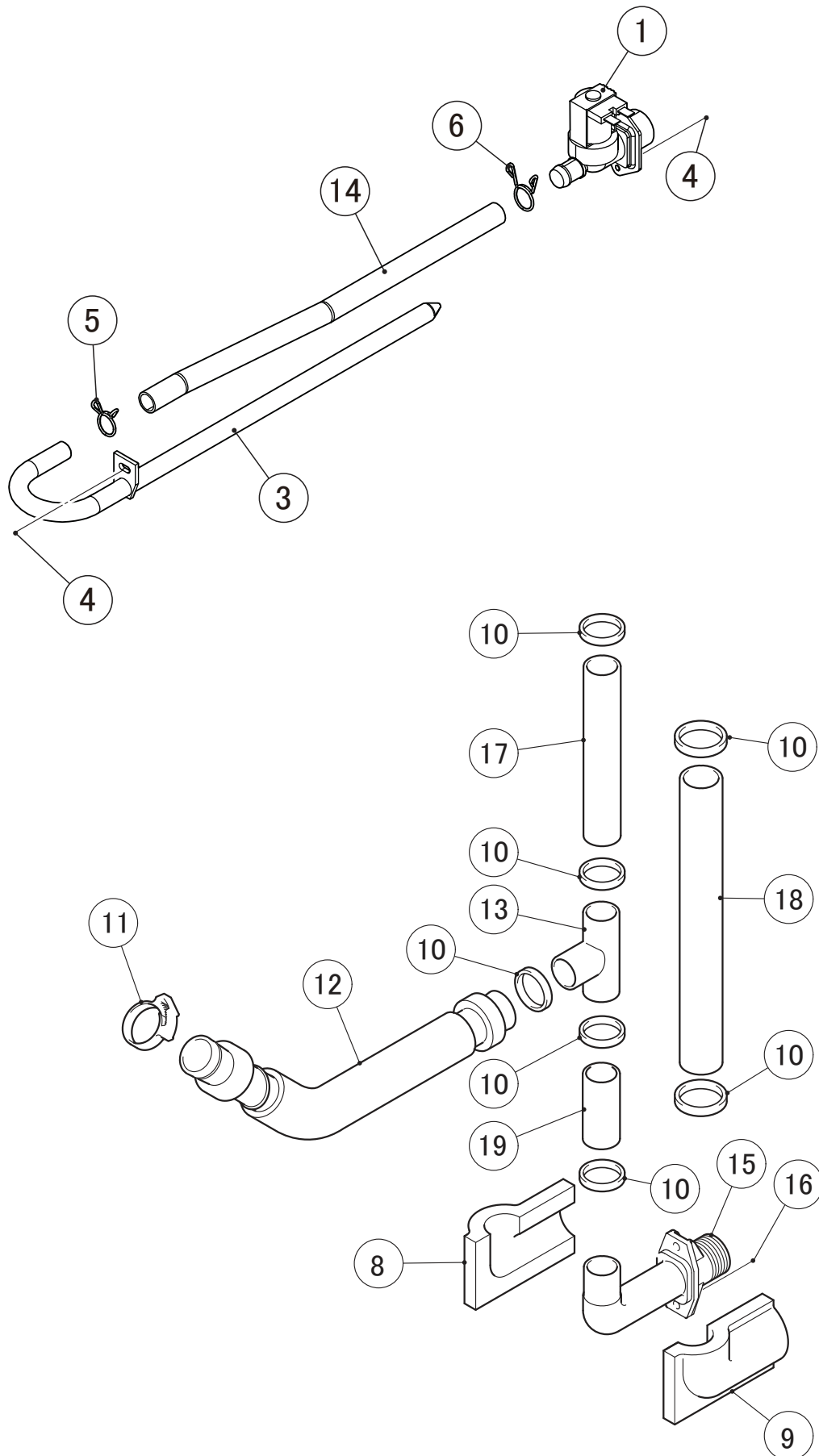


HE,HL

MODEL : DIM-30DE-1		TITLE : C. ICE MAKING ASSY						
MODEL : DIM-30DE-2								
INDEX NO.	DESCRIPTION	MATERIAL OR MODEL NUMBER	PART NUMBER	REQ'D NUMBER				
				C-1 H-0	H-1 J-0	J-1 K-0	K-1	
L	WATER PAN ASSY	(30DE-1)	2X1969A01	1	-	-	-	
		(30DE-2)	270438A01	1	1	1	1	
1	ACTUATOR MOTOR	(30DE-1)	461907-01	1	-	-	-	
		(30DE-2)	4Y8998G01	1	1	1	1	
2	BRACKET - ACTUATOR MOTOR	(30DE-1)	3H1413-01	1	-	-	-	
	BRACKET-MOTOR	(30DE-2)	3Y8831M01	1	1	1	1	
3	CAM (A)	(30DE-1)	3X8002-01	1	-	-	-	
		(30DE-2)	3Y2185P01	1	1	1	1	
4	CAM (B)	-	3X8003-01	1	1	1	1	
5	CAM SHAFT	-	4Y2375G01	1	1	1	1	
6	TOGGLE SWITCH	(30DE-1)	431977-01	1	-	-	-	
7	WASHER - TOGGLE SWITCH	(30DE-1)	406196-01	1	-	-	-	
8	BAG	(30DE-1)	4X1559-03	1	-	-	-	
9	CAM SHAFT BEARING	-	307256-02	1	1	1	1	
10	BEARING(A)-WATER PAN	-	4H2652G02	1	1	1	1	
11	BEARING(B)-WATER PAN	-	4H2653G02	1	1	1	1	
12	SPRING PIN	-	712S-0322	1	1	1	1	
13	SPRING	-	4H1143-01	2	2	2	2	
14	MECHANISM BASE	(30DE-1)	2X1761M01	1	-	-	-	
		(30DE-2)	270812M01	1	1	1	1	
15	SPACER	-	4X9131-01	2	2	2	-	
16	FLANGE NUT	-	FNHF06S0	5	5	5	5	
17	CLAMP	-	P04381-01	1	1	1	1	
18	INSULATION (D)	-	4X4013-01	1	1	1	1	
19	SCREW EVAPORATOR	-	4Y4922M02	3	3	3	3	
20	SPACER	-	4H0471-01	3	3	3	3	
21	WASHER	-	4H0777-01	3	3	3	3	
22	TRUSS HEAD MACHINE SCREW	-	FST0512S0	4	4	4	4	
23	FLANGE NUT	-	FNHF05S0	4	4	4	4	
24	CLAMP	-	426197-01	1	1	1	1	
25	CUTTER PIN	-	711S-0212	1	1	1	1	
26	TRUSS HEAD MACHINE SCREW	(30DE-1)	FST0612S0	1	-	-	-	







HE,HL

MODEL : DIM-30DE-1		TITLE : D. WATER CIRCUIT ASSY						
MODEL : DIM-30DE-2								
INDEX NO.	DESCRIPTION	MATERIAL OR MODEL NUMBER	PART NUMBER	REQ'D NUMBER				
				C-1 H-0	H-1 J-0	J-1 K-0	K-1	
M	FITTING (K2) - WATER SUPPLY	-	3H7959A03	1	1	1	-	
1	WATER VALVE (AD)	(30DE-1)	4Y6702G01	1	-	-	-	
	WATER VALVE	(30DE-2)	P05358-01	1	1	1	-	
			P05355-01	-	-	-	1	
		(30DE-2)(HS)	P05058-01	-	1	1	-	
			4Z0427A01	-	-	-	1	
2	PACKING - FILTER	-	480202G01	1	1	1	-	
3	WATER SUPPLY PIPE	-	3X5368G01	1	1	1	-	
			3Z1495G01	-	-	-	1	
4	TRUSS HEAD SCREW	-	FST0408S0	1	1	1	3	
5	HOSE CLAMP	-	435934-02	1	1	1	1	
6	HOSE CLAMP	-	435934-03	1	1	1	1	
7	PIPE CONNECTION	-	3X5369G01	1	1	1	-	
8	COVER (A) - DRAIN	-	3X5370-01	1	1	1	1	
9	COVER (B) - DRAIN	-	3X5370-02	1	1	1	1	
10	TIE	(30DE-1)	7920-0003	8	-	-	-	
		(30DE-2)	7920-0003	9	9	9	9	
11	HOSE CLAMP	-	435947-12	1	1	1	1	
12	DRAIN HOSE	-	4X9276G01	1	1	1	1	
13	TEE	-	751VT0013	1	1	1	1	
14	SILICONE TUBE	-	4Y6912R07	1	1	1	-	
			4Y6912R04	-	-	-	1	
15	DRAIN PIPE	-	3H0394-01	1	1	1	1	
16	TRUSS HEAD TAPPING SCREW T2	-	FT20412M0	4	4	4	2	
17	PVC HOSE	-	HD2226180	1	1	1	1	
18	INSULATION HOSE	-	4X9446-01	1	1	1	1	
19	PVC HOSE	-	HD2226055	1	1	1	1	
20	HEX HEAD BOLT (SPRING WASHER AND FLAT WASHER)	-	FBK0408S0	1	1	1	-	
21	TOOTH WASHER	-	FWTB04S0	1	1	1	-	
22	BRACKET-DRAIN PIPE	(30DE-1)	4Y8621M01	1	-	-	-	
23	T2 TRUSS HEAD SCREW	-	FT20408S0	2	-	-	-	

