



# HOSHIZAKI

## IM-240 DNE - HC 23

### Ecological ice maker for IM cubes with separate container. Ice production up to 180 kg/24h. Stackable model.

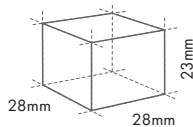
#### MODELS AVAILABLE

- IM-240 DNE - HC 21
- IM-240 DNE - HC 23
- IM-240 DNE - HC 32
- IM-240 XNE - HC 21
- IM-240 XNE - HC 23
- IM-240 XNE - HC 32



**IM-240 DNE-HC - Basic model with top panel**  
 IM-240 XNE-HC - Stackable model with conveyor kit  
 IM-240 XNE-HC - Stackable model with conveyor kit

B-340 SA



**IM "M" Cube**  
 Small approx. 17 g  
 Size code: -23

#### The "M" Cube provides (when compared to same weight but different shape ice):

- minimum air/water ratio
- minimum temperature (sub-freezing)
- minimum heat exchange surface
- lowest flavour dilution
- longest chill
- maximized repeat business

MODEL	Cooling	Max. production in 24h Air 10°C Water 10°C (kg)	Max. production in 24h Air 21°C Water 15°C (kg)	Electric Connection	Electrical circuit breaker protection (A)	Electrical consumption 24h power factor 97%	Water consumption liters m <sup>3</sup> /24h @10°C/10°C (ice production)
IM-240DNE-HC-23	Air	180	175	1/220-240V/50Hz	5	930	0.73

#### TECHNICAL CERTIFICATIONS

Powered by R290 Natural Refrigerant, energy efficient and sustainable, with a GWP = 3. Energy savings may vary depending on electrical specs when compared to HFC equivalent model.



SERIES: MODULAR ICE MAKER  
 ITEM: M071-D102

#### FEATURES:

- Modular cube ice maker, powered by Natural Refrigerant R290.
- Horizontal evaporator, with water injection.
- Air cooled condenser.
- Dimensions: 1084 x 700 x 500 mm
- Produces high density, slow melting, geometrically pure (prismatic) Medium – M ice cubes (28 x 28x23mm, approx. 17 g), at sub-cooled temperature.
- Up to 180 kg of ice produced per 24 hours (approx. 10,580 ice cubes per day).
- Closed water circuit for airborne bacterial cross-contamination protection. Evaporator and water circuit easily reachable for manual cleaning and sanitation.
- Electronic control board, with optimized ice making process irrespective of ambient temperature, varies quantity of water rinse after each production cycle, accommodating local water quality conditions.
- Magnetically-driven water pump.
- Front-panel installed air-louvers, with dust-collecting filter, easily removable for regular manual cleaning.
- Stackable, and supplied without top-panel. Must be installed in conjunction with IM 240 DNE model to form a complete set. Double or triple machine columns (model IM 240 DNE must be the top unit of the stack)
- Stacked units pass-through ice funnel supplied as standard. Ice level control system to be connected to bottom unit of the stack.
- Matching storage bin sold separately.



#### COMMERCIAL WARRANTY AGAINST MANUFACTURING DEFECTS

PARTS **2** YEARS      LABOR **2** YEARS

#### EXTERIOR FINISH

Stainless Steel

Refrigerant: R290

#### OPERATING CONDITIONS LIMITATIONS

- Ambient Temperature Range: 1°C / 40°C
- Water temperature Range: 5°C / 35°C
- Water Supply Pressure: 0,7 bar min. / 8 bar max.
- Voltage Range: 198V - 254V

For more information visit our website at [www.hoshizaki-europe.com](http://www.hoshizaki-europe.com)  
 Hoshizaki Europe B.V. retains the right to change products and their specifications without prior notice.

**Hoshizaki Europe B.V.**  
 Burgemeester Stramanweg 101,  
 1101 AA Amsterdam  
 The Netherlands

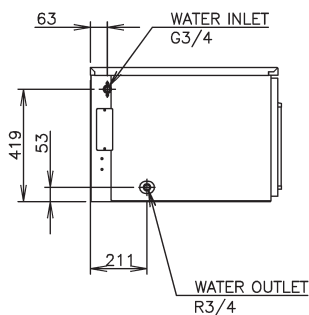
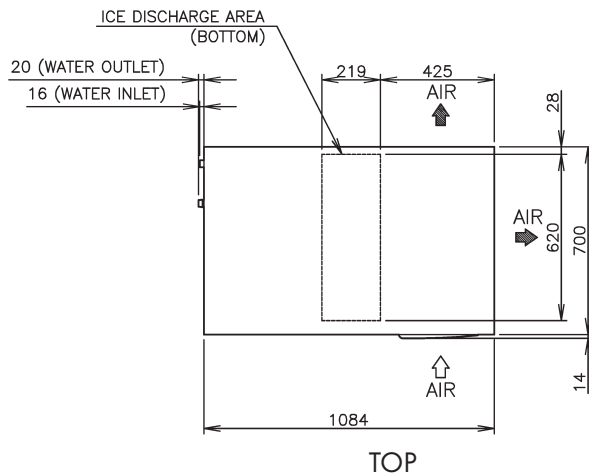
T: +31 (0)20 691 8499  
 F: +31 (0)20 691 8768  
 sales@hoshizaki.nl  
 www.hoshizaki-europe.com

# IM-240 DNE - HC 23

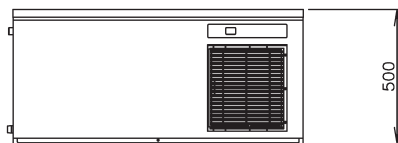


# HOSHIZAKI

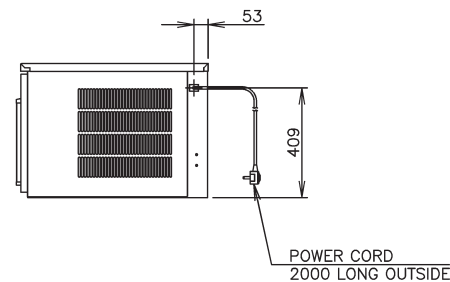
**Ecological ice maker for IM cubes with separate container.**  
**Ice production up to 180 kg/24h.**  
**Stackable model.**



RIGHT SIDE



FRONT



LEFT SIDE

## SHIPPING SPECIFICATIONS

MODEL	Net Equipment Dimensions		Crated dimensions		
	W x D x H (mm)	Net Weight (kg)	W x D x H (mm)	Gross Weight (kg)	Volume (m <sup>3</sup> )
IM-240DNE-HC-23	1084 x 700 x 500	82	1196 x 825 x 640	96	0.63

ACCESSORIES  
 • Installation Kit



Hoshizaki Belgium:  
 Hoshizaki Denmark:  
 Hoshizaki Deutschland:  
 Hoshizaki France:  
 Hoshizaki Iberia:  
 Hoshizaki Italia:

info@hoshizaki.be  
 info@hoshizaki.dk  
 info@hoshizaki.de  
 info@hoshizaki.fr  
 info@hoshizaki.es  
 info@hoshizaki.it

Hoshizaki Middle East:  
 Hoshizaki Netherlands:  
 Hoshizaki Norge:  
 Hoshizaki United Kingdom:  
 Hoshizaki Sverige:  
 Export Countries:

sales@hoshizaki.ae  
 info@hoshizaki.nl  
 info@hoshizaki.no  
 uksales@hoshizaki.co.uk  
 info@hoshizaki.se  
 sales@hoshizaki.nl

[www.hoshizaki-europe.com](http://www.hoshizaki-europe.com)